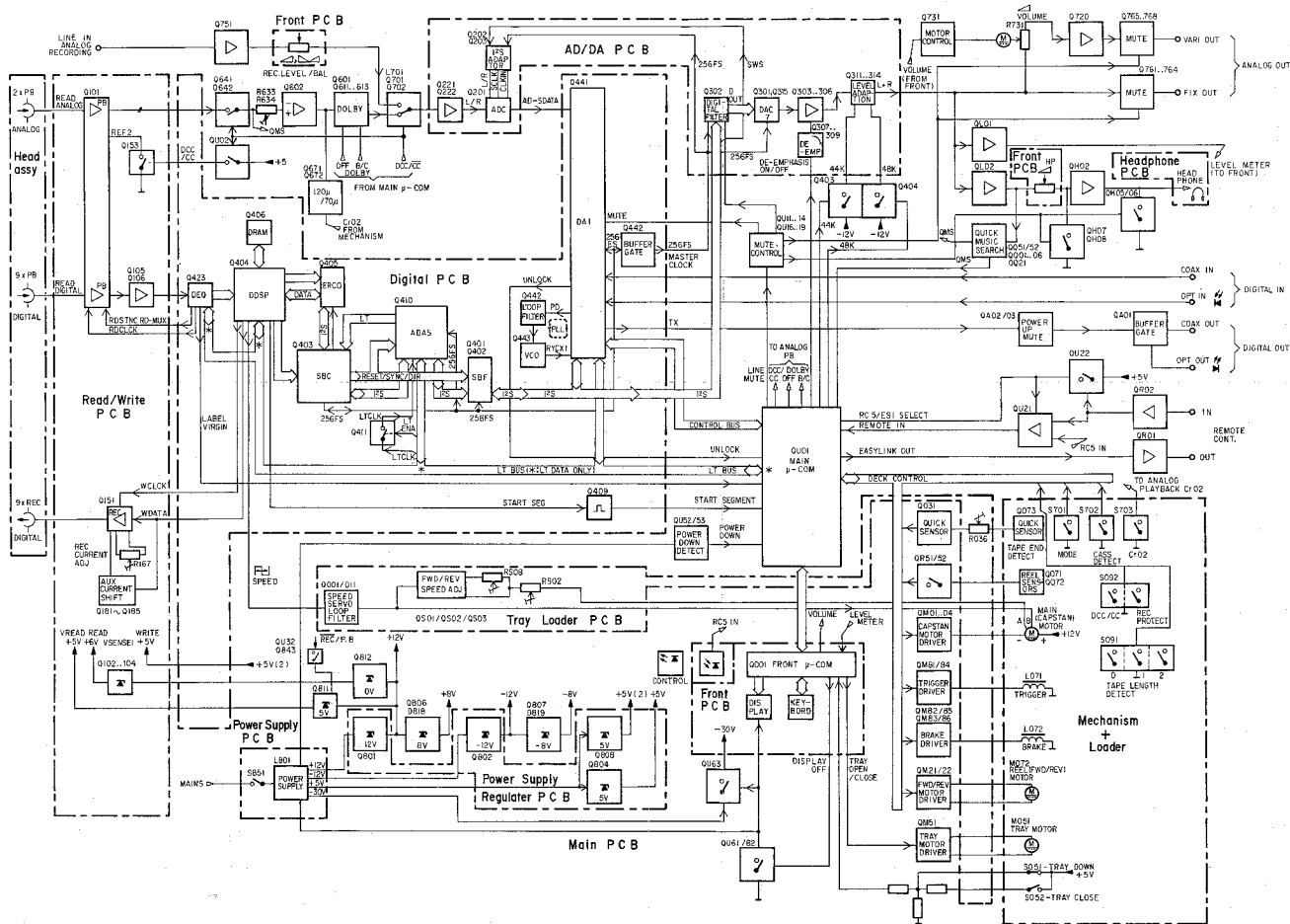


BLOCK DIAGRAM



TRAY WIRE CONNECTION SERVO PCB (PM03)

CD01	1	2	3	4	5	6	7	8	9	10	11	12	13	14
PRNG	2.0V	2.5V	3.0V	3.5V	4.0V	4.5V	5.0V	5.5V	6.0V	6.5V	7.0V	7.5V	8.0V	8.5V
VOLTRIP	2.0V	2.5V	3.0V	3.5V	4.0V	4.5V	5.0V	5.5V	6.0V	6.5V	7.0V	7.5V	8.0V	8.5V

CD01	1	2	3	4	5	6	7	8	9	10	11	12	13	14
PRNG	12.0V	12.5V	13.0V	13.5V	14.0V	14.5V	15.0V	15.5V	16.0V	16.5V	17.0V	17.5V	18.0V	18.5V
VOLTRIP	12.0V	12.5V	13.0V	13.5V	14.0V	14.5V	15.0V	15.5V	16.0V	16.5V	17.0V	17.5V	18.0V	18.5V

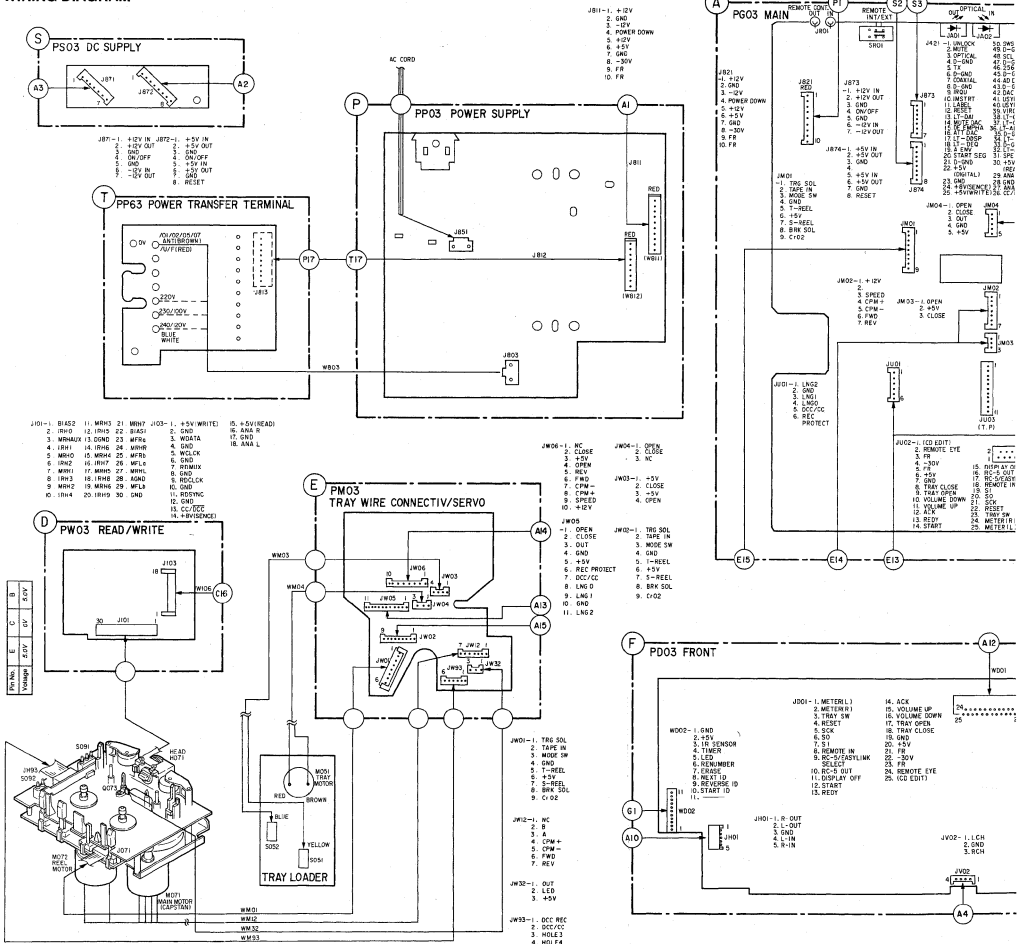
CD01	1	2	3	4	5	6	7	8	9	10	11	12	13	14
PRNG	2.0V	2.5V	3.0V	3.5V	4.0V	4.5V	5.0V	5.5V	6.0V	6.5V	7.0V	7.5V	8.0V	8.5V
VOLTRIP	2.0V	2.5V	3.0V	3.5V	4.0V	4.5V	5.0V	5.5V	6.0V	6.5V	7.0V	7.5V	8.0V	8.5V

FRONT PCB (PD03)

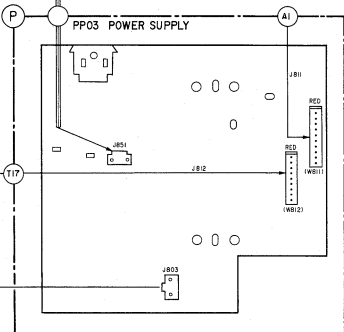
CD01	1	2	3	4	5	6	7	8	9	10	11	12	13	14
PRNG	2.0V	2.5V	3.0V	3.5V	4.0V	4.5V	5.0V	5.5V	6.0V	6.5V	7.0V	7.5V	8.0V	8.5V
VOLTRIP	2.0V	2.5V	3.0V	3.5V	4.0V	4.5V	5.0V	5.5V	6.0V	6.5V	7.0V	7.5V	8.0V	8.5V

CD01	1	2	3	4	5	6	7	8	9	10	11	12	13	14
PRNG	12.0V	12.5V	13.0V	13.5V	14.0V	14.5V	15.0V	15.5V	16.0V	16.5V	17.0V	17.5V	18.0V	18.5V
VOLTRIP	12.0V	12.5V	13.0V	13.5V	14.0V	14.5V	15.0V	15.5V	16.0V	16.5V	17.0V	17.5V	18.0V	18.5V

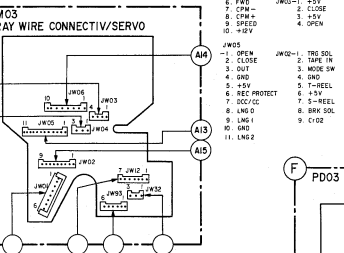
WIRING DIAGRAM



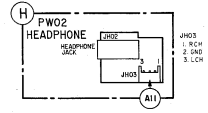
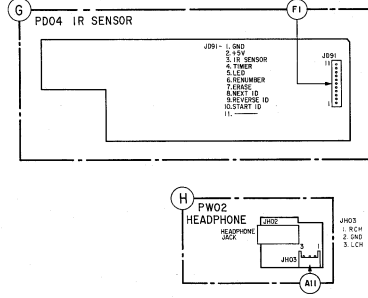
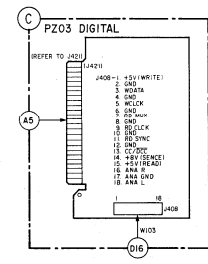
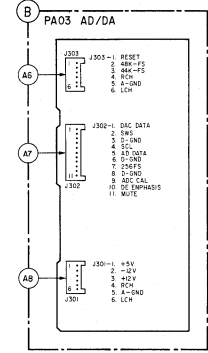
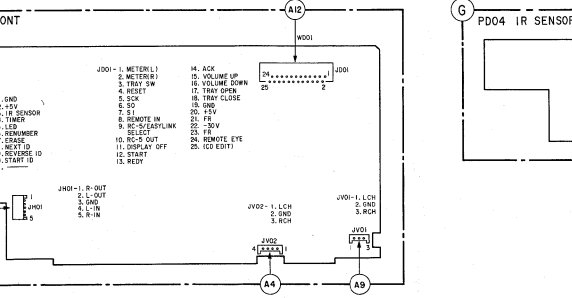
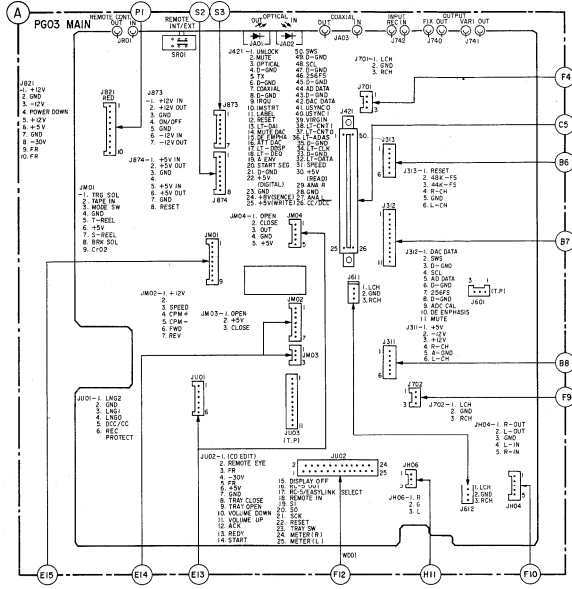
- J811-1 +5V
- 2 GND
- 3 +10V
- 4 POWER DOWN
- 5 +12V
- 6 +5V
- 7 GND
- 8 +30V
- 9 5V
- 10 5V
- 11 5V



- JW06-1 NC
- 2 CLOSE
- 3 NC
- 4 OPEN
- 5 REV
- 6 FWD
- 7 CPW+
- 8 CPW-
- 9 SPEED
- 10 +2V



- JW08-1 TRS SOL
- 2 TAKE IN
- 3 GND
- 4 MODE SW
- 5 +5V
- 6 +5V
- 7 +5V
- 8 +5V
- 9 +5V
- 10 +5V
- 11 +5V
- 12 +5V



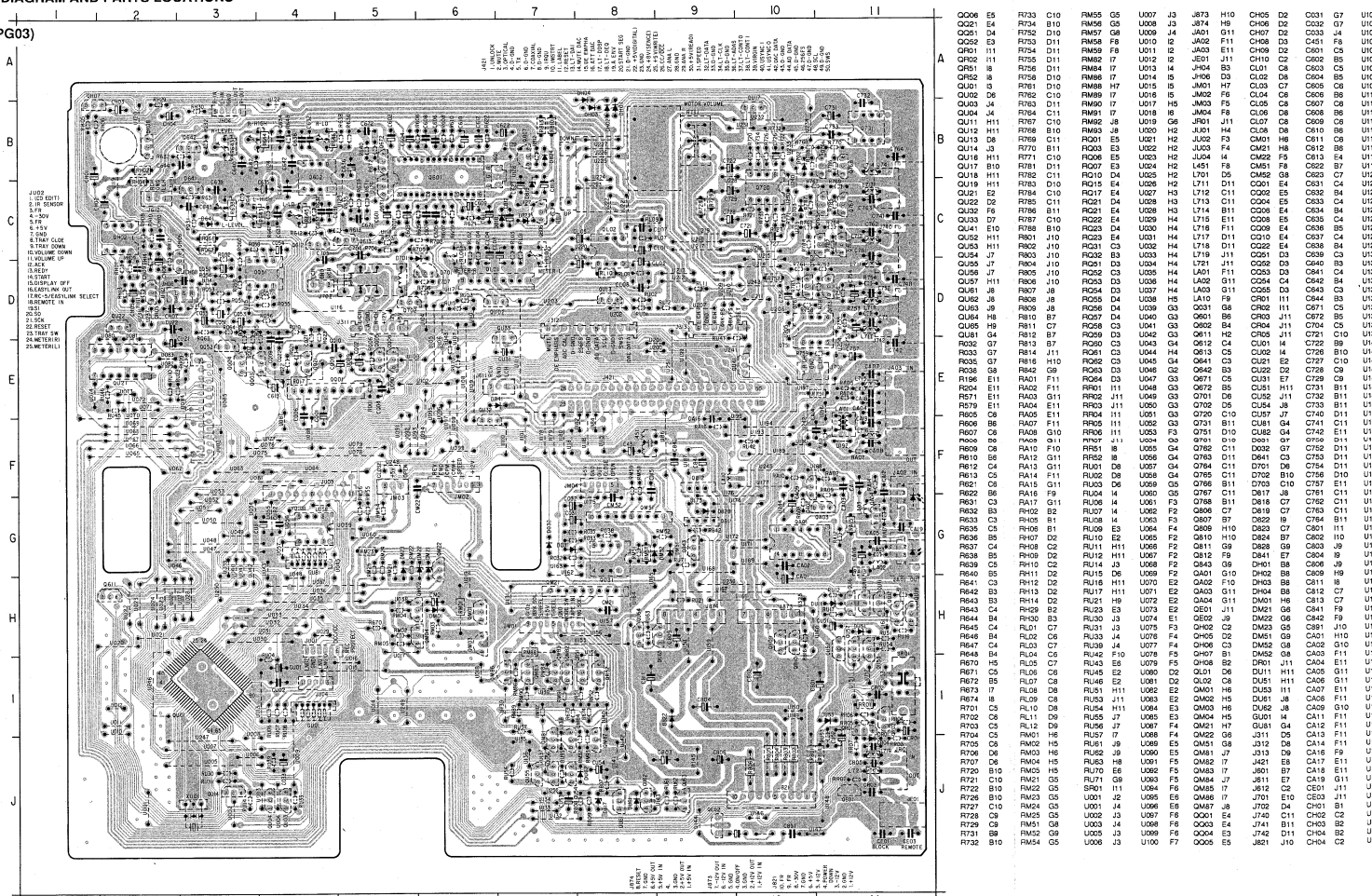
- Carbon film
0.125 W or 0.2 W 70°C 5%
- Carbon film
0.25 W or 0.33 W 70°C 5%
- Metal film
0.25 W or 0.33 W 70°C 5%
- Carbon film
0.5 W 70°C 5%
- Carbon film
0.67 W 70°C 5%
- Carbon film
1 W or 1.15 W 70°C 5%

C Chip component

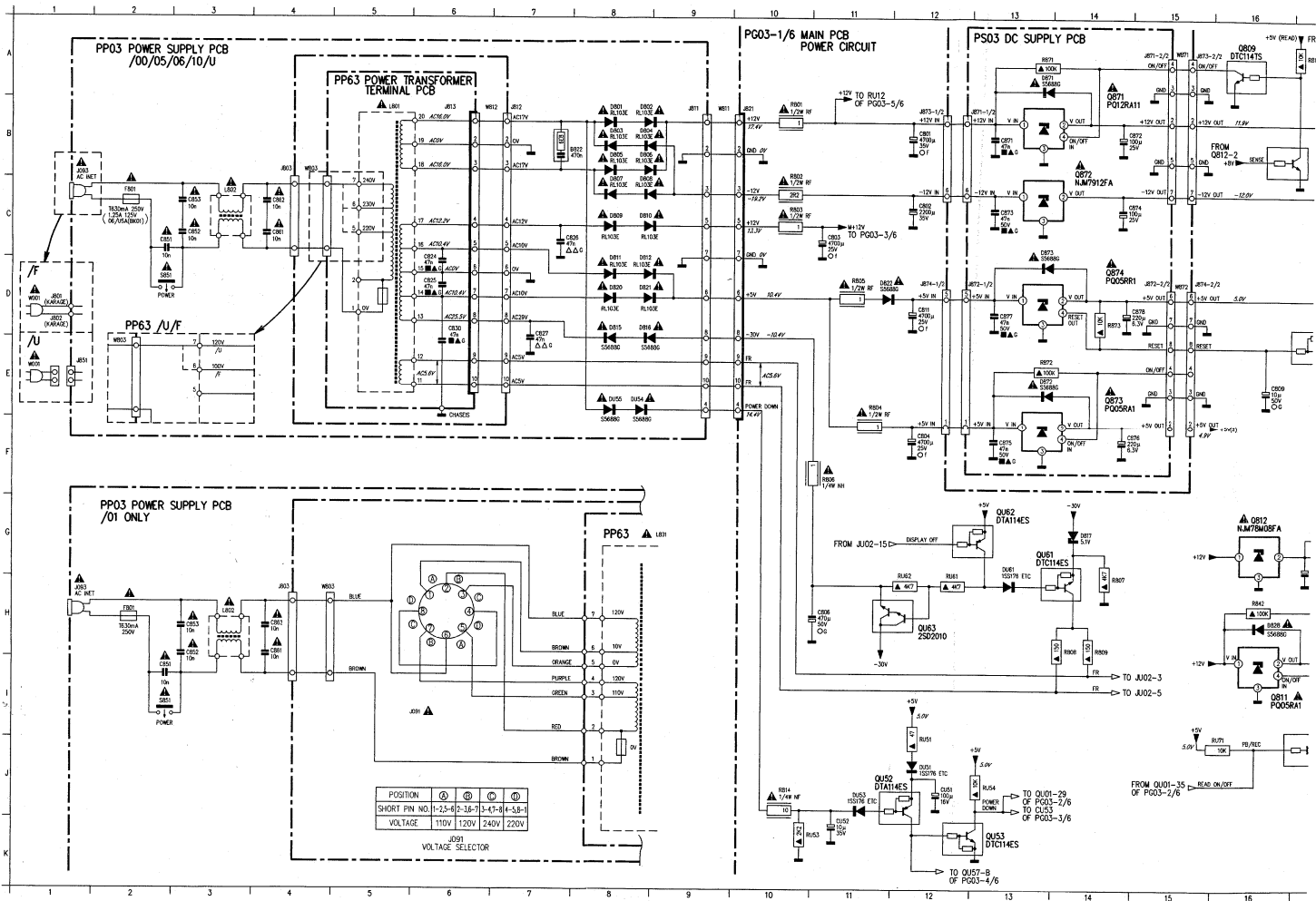
	Ceramic plate	2%	*a = 2.5 V
	Tuning < 120 pF NP.O	2%	b = 3.15 V
	Others	-20/+80%	c = 4.4 V
	Polyester flat foil	10%	d = 10 V
	Metalized polyester film film	10%	e = 15 V
	Polyester flat foil small size (Mylar)	10%	f = 25 V
	Polyester film/foil	1%	g = 40 V
	Tubular ceramic		h = 150 V
	Miniature single		i = 100 V
	Subminiature tantalum	± 20%	j = 125 V
			k = 15 V
			l = 160 V
			m = 200 V
			n = 400 V
			o = 300 V
			p = 350 V
			q = 500 V
			r = 630 V
			s = 1000 V
			A = 1.5 V
			B = 5 V
			C = 12 V
			D = 15 V
			E = 20 V
			F = 35 V
			G = 50 V
			H = 75 V
			I = 50 V

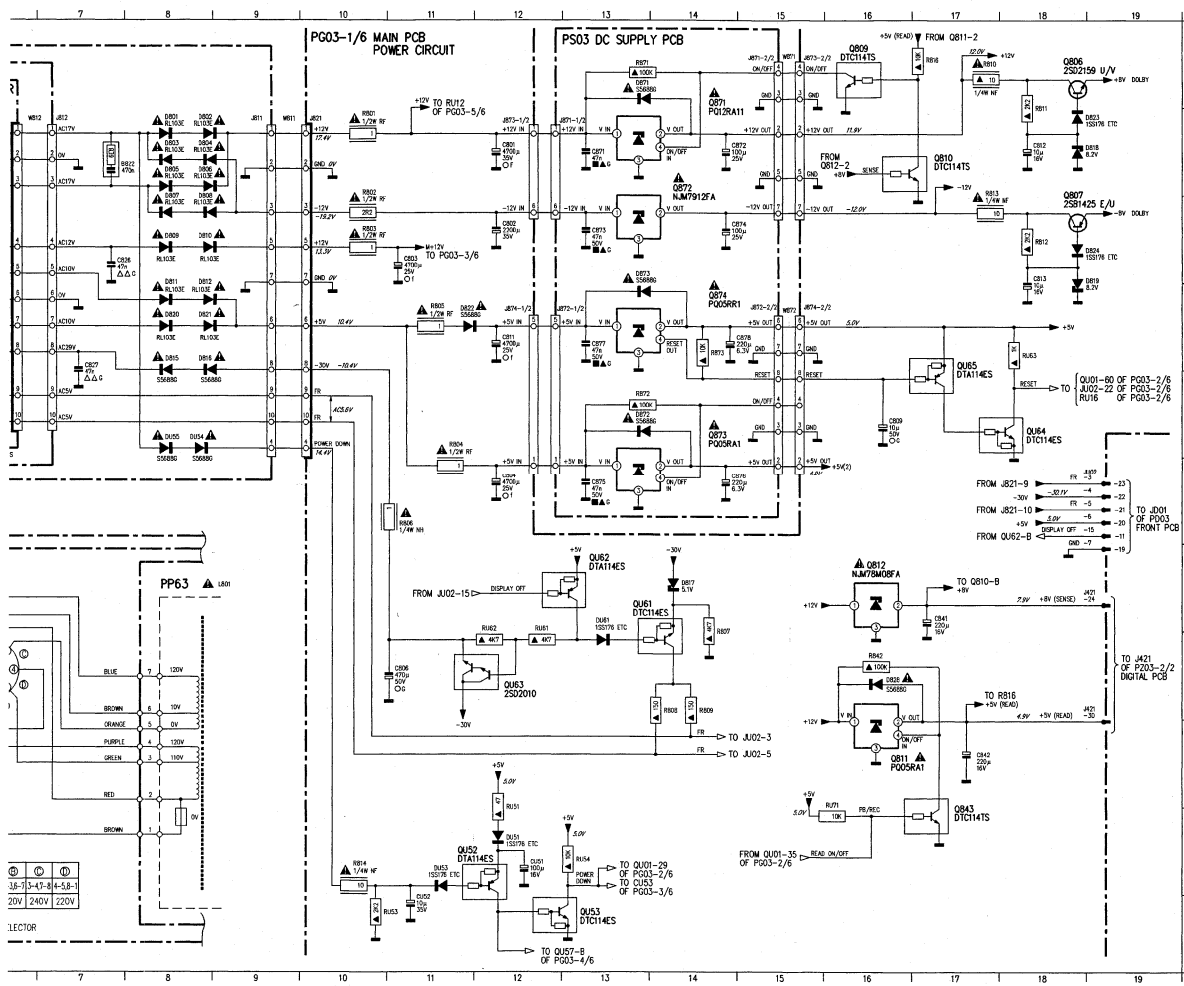
SCHEMATIC DIAGRAM AND PARTS LOCATIONS

MAIN PCB (PG03)

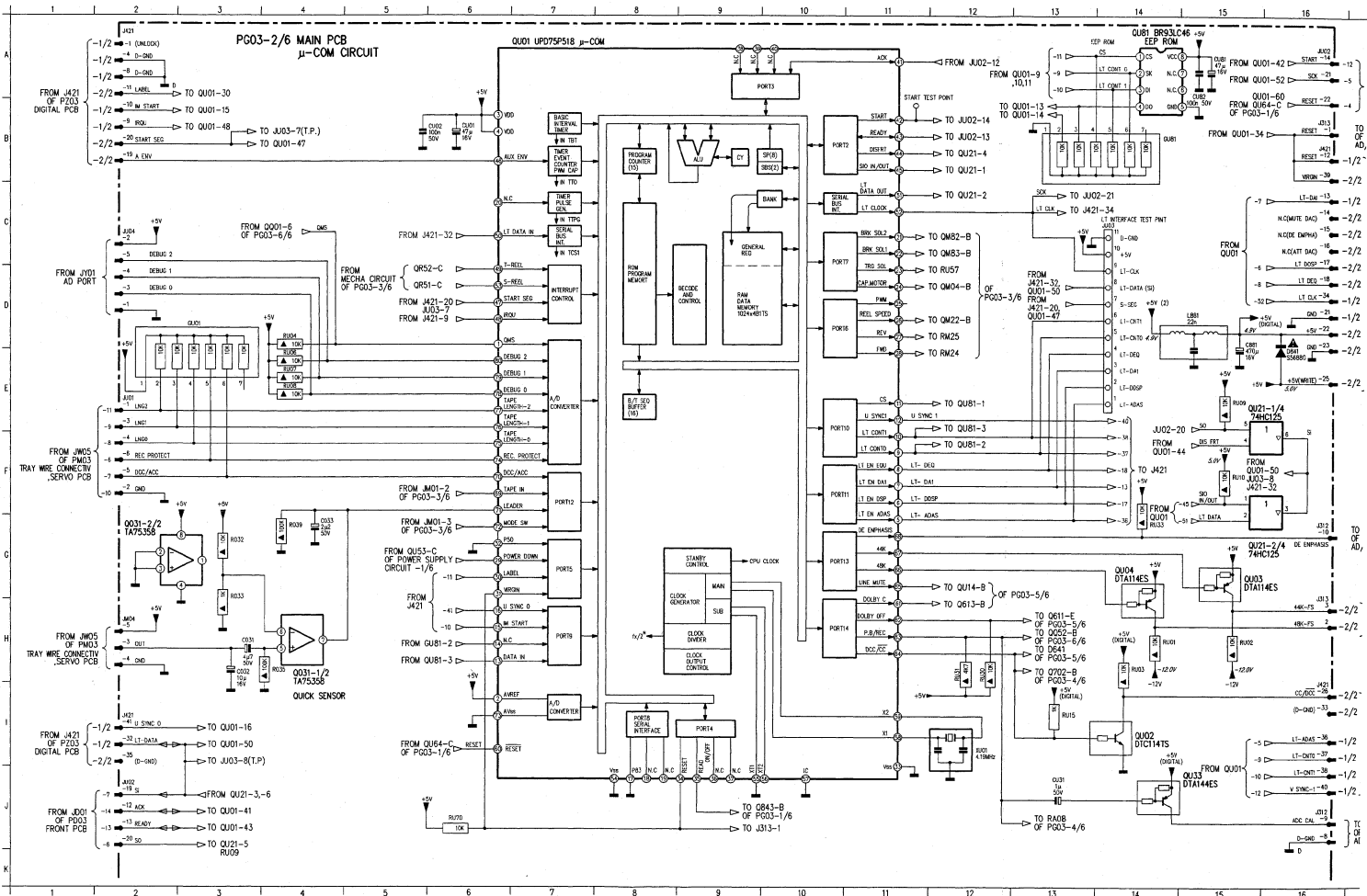


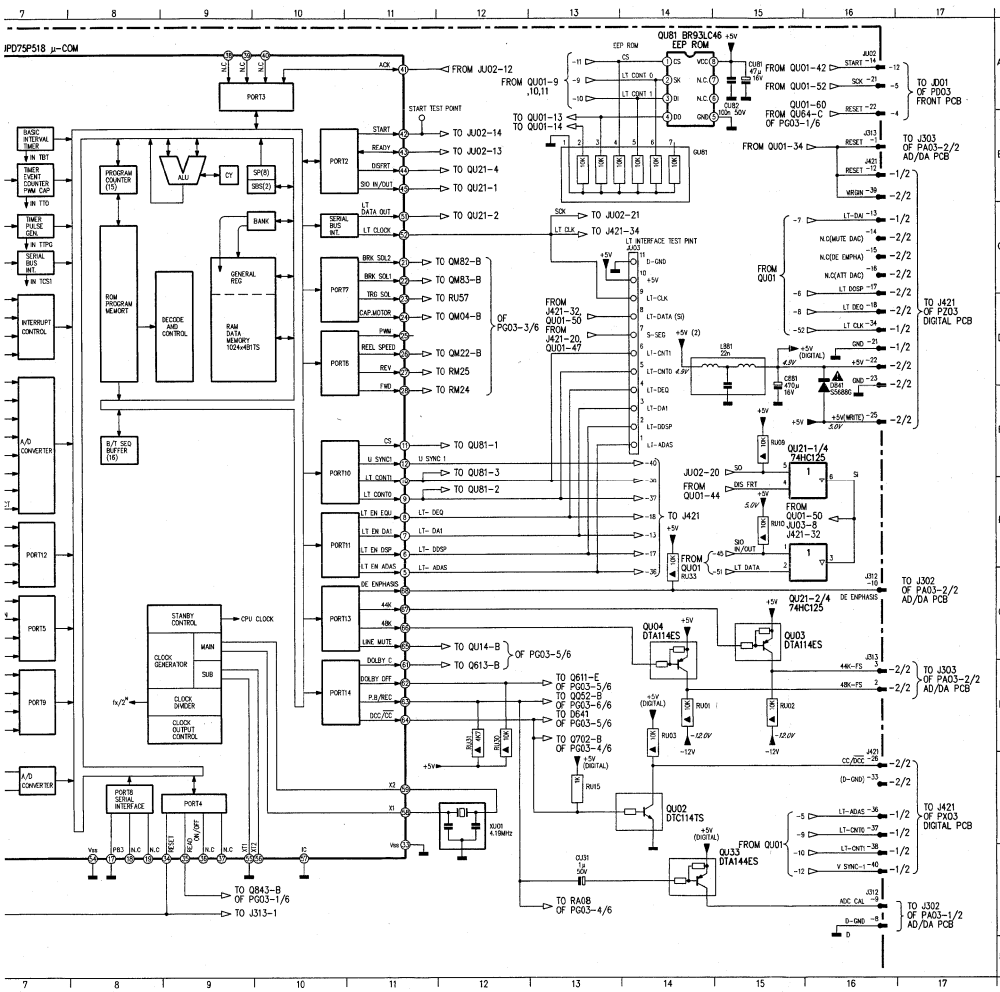
YK009D411-3





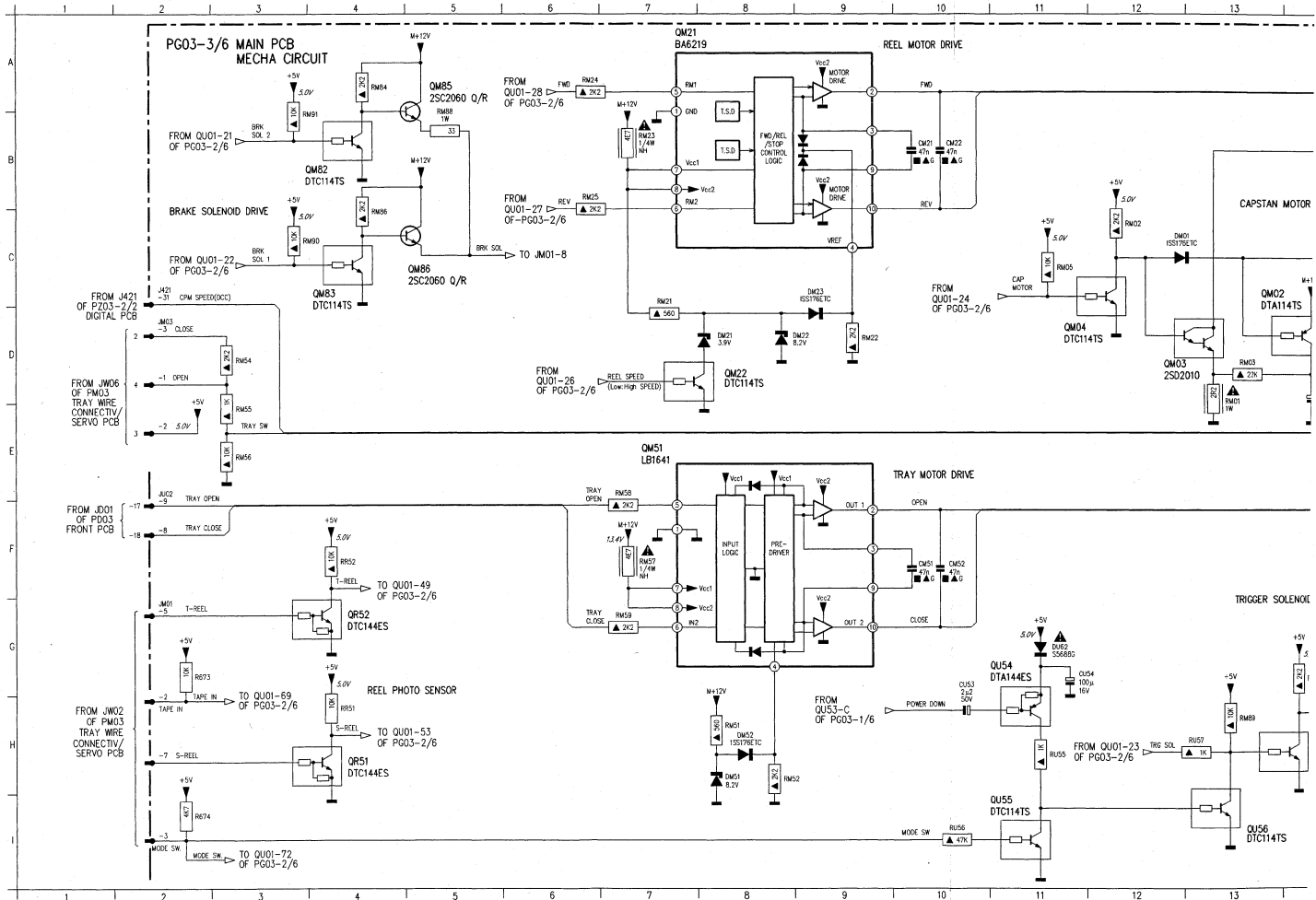
CB22	B7	J421-30	I19
CB23	B12	B12	B12
CB24	C12	J803	C4
CB25	C11	J803	H4
CB26	C14	B11	B11
CB27	H11	J812	B7
CB28	B16	B16	B6
CB29	C11	J821	B10
CB30	B18	J851	C1
CB31	C18	J851	H1
CB32	D6	J871	B12
CB33	D6	J871	B12
CB34	D6	J871	B12
CB35	D6	J871	B12
CB36	C7	J875	B12
CB37	E7	J875	D12
CB38	RE	J875	RE
CB39	C11	G17	JU02-3
CB40	F17	JU02-3	F19
CB41	C12	JU02-3	F19
CB42	C12	JU02-3	F19
CB43	C2	JU02-6	F19
CB44	H2	JU02-6	F19
CB45	H2	JU02-6	F19
CB46	H2	JU02-6	F19
CB47	C2	L902	C3
CB48	H2	L902	H3
CB49	C2	L902	H3
CB50	C2	L902	H3
CB51	H4	Q806	A18
CB52	C4	Q806	A18
CB53	H4	Q807	C18
CB54	C4	Q807	C18
CB55	C4	Q807	C18
CB56	C4	Q807	C18
CB57	B13	Q811	I16
CB58	H4	Q811	I16
CB59	H4	Q811	I16
CB60	H4	Q811	I16
CB61	C13	Q813	G18
CB62	C13	Q813	G18
CB63	C13	Q813	G18
CB64	C13	Q813	G18
CB65	C13	Q813	G18
CB66	C13	Q813	G18
CB67	C13	Q813	G18
CB68	C13	Q813	G18
CB69	C13	Q813	G18
CB70	C13	Q813	G18
CB71	C13	Q813	G18
CB72	C13	Q813	G18
CB73	C13	Q813	G18
CB74	C13	Q813	G18
CB75	C13	Q813	G18
CB76	C13	Q813	G18
CB77	C13	Q813	G18
CB78	C13	Q813	G18
CB79	C13	Q813	G18
CB80	C13	Q813	G18
CB81	C13	Q813	G18
CB82	C13	Q813	G18
CB83	C13	Q813	G18
CB84	C13	Q813	G18
CB85	C13	Q813	G18
CB86	C13	Q813	G18
CB87	C13	Q813	G18
CB88	C13	Q813	G18
CB89	C13	Q813	G18
CB90	C13	Q813	G18
CB91	C13	Q813	G18
CB92	C13	Q813	G18
CB93	C13	Q813	G18
CB94	C13	Q813	G18
CB95	C13	Q813	G18
CB96	C13	Q813	G18
CB97	C13	Q813	G18
CB98	C13	Q813	G18
CB99	C13	Q813	G18
CB100	C13	Q813	G18

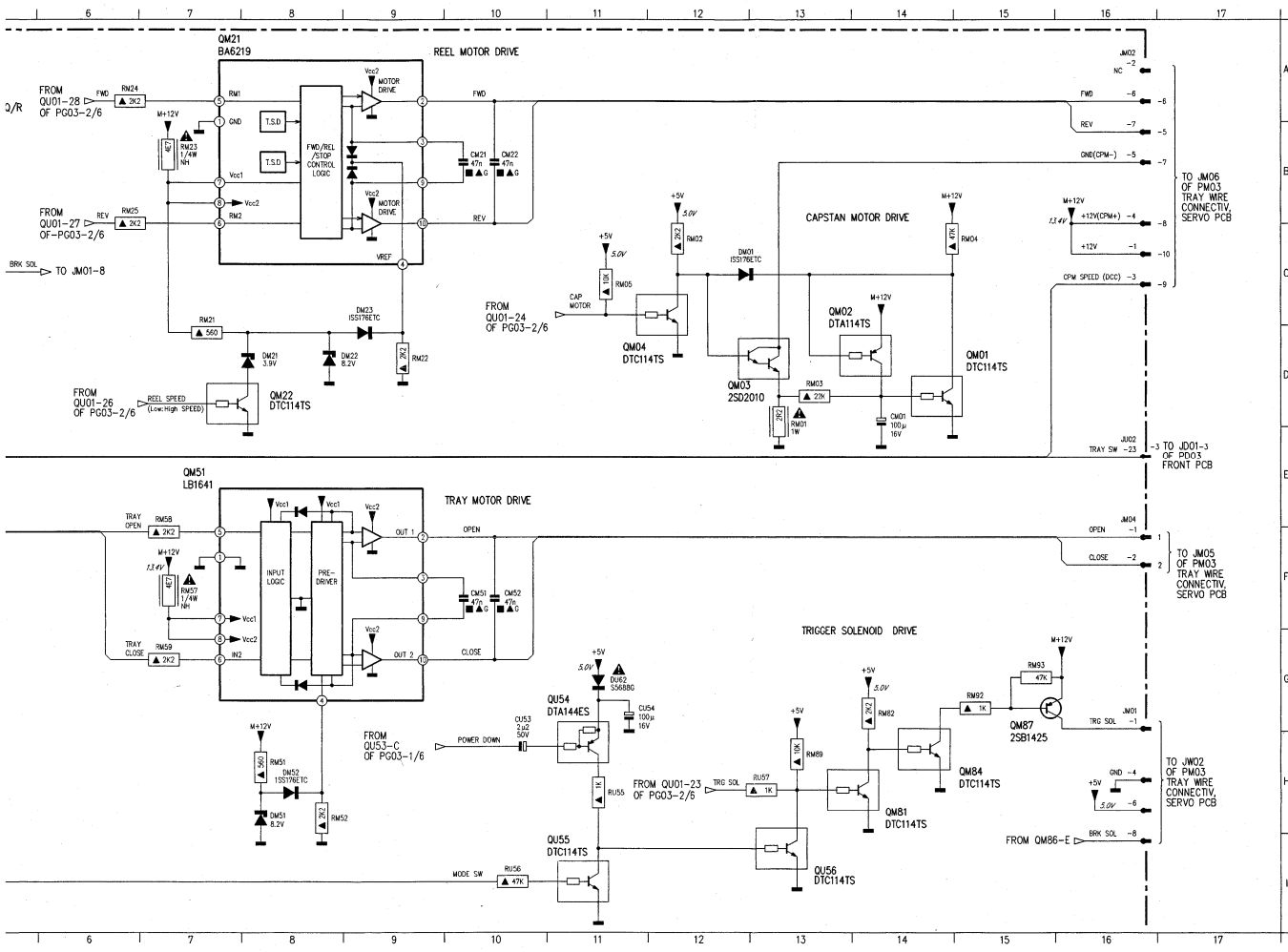




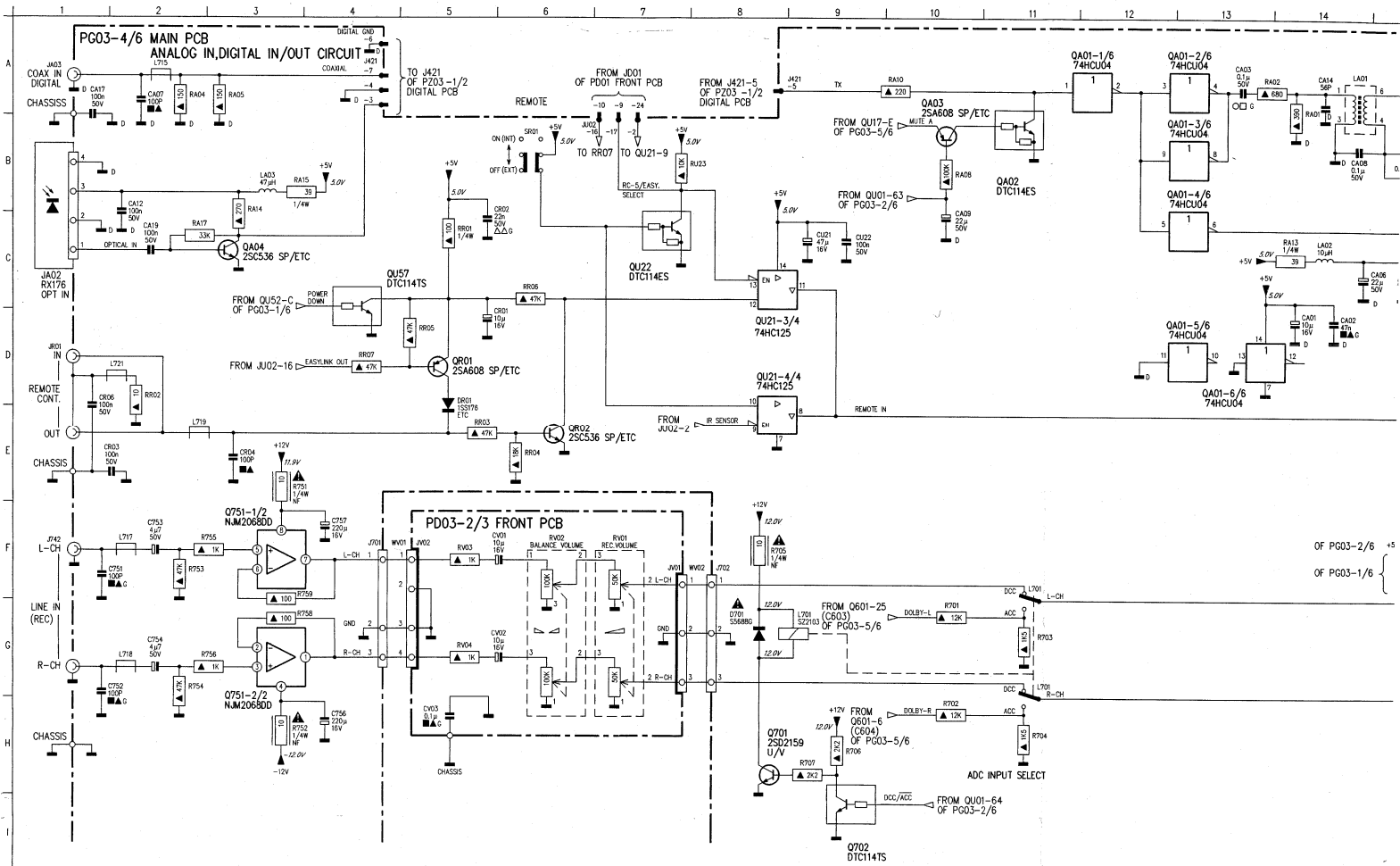
C031	H3	JU01-2	F2
C032	H3	JU01-3	E2
C033	G4	JU01-4	F2
C081	D15	JU01-5	F2
CU01	B6	JU01-6	F2
CU02	B5	JU02-12	J2
CU31	J13	JU02-13	J2
CU81	A15	JU02-14	A16
CU82	A15	JU02-19	J2
D841	D16	JU02-20	J2
GU01	D3	JU02-21	A16
GU81	B14	JU03	O14
J12-10	G16	JU03-1	E14
J12-9	H16	JU03-2	E14
J12-9	J16	JU03-3	E14
J13-1	H16	JU03-4	E14
J13-2	H16	JU04-1	O2
J13-3	H16	JU04-2	O2
J421-1	A2	JU04-3	O2
J421-10	B2	JU04-4	O2
J421-11	A2	JU04-5	O2
J421-15	H16	L81	O15
J421-19	C16	CO31-2	H4
J421-14	C16	CU01	A7
J421-18	C16	CU02	I14
J421-16	C16	CU03	G15
J421-17	C16	CU04	G14
J421-16	D16	CU21-1/4	E16
J421-15	B2	CU21-2/4	F16
J421-20	B2	CU31-2/3	O3
J421-21	D16	CU33	J14
J421-22	D16	CU81	A14
J421-23	D16	FO32	O3
J421-25	E16	FO33	H4
J421-26	H16	FO35	H4
J421-20	D2	FO39	G4
J421-33	H16	RU01	H14
J421-34	D16	RU02	H15
J421-35	A2	RU03	A14
J421-36	H16	RU04	O4
J421-37	H16	RU06	E4
J421-38	J16	RU07	E4
J421-39	E16	RU08	E4
J421-4	A2	RU09	E15
J421-40	J16	RU10	F15
J421-41	B2	RU15	A15
J421-8	A2	RU30	H12
J421-9	B2	RU31	H12
JM04-3	H2	RU33	F14
JM04-4	H2	RU70	J6
JM04-5	H2	XU01	H12
JU01-1	E2		

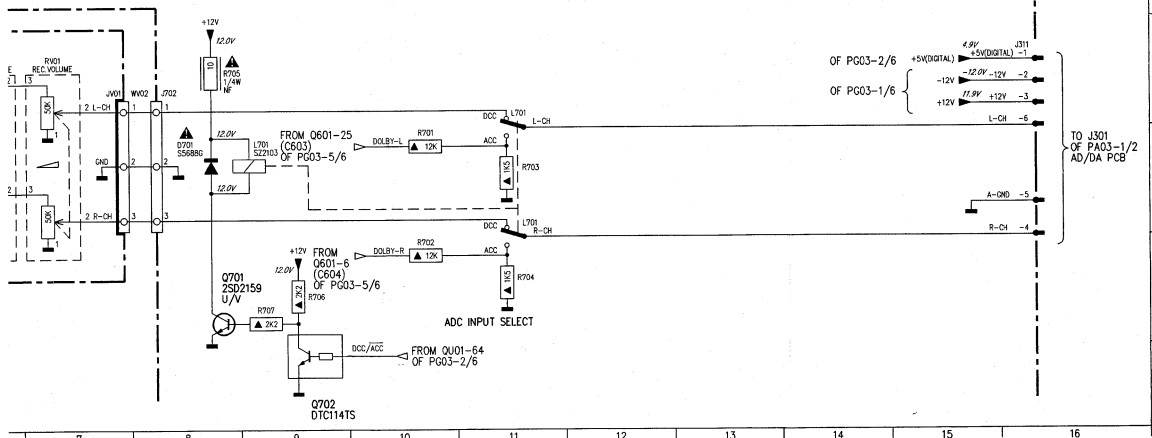
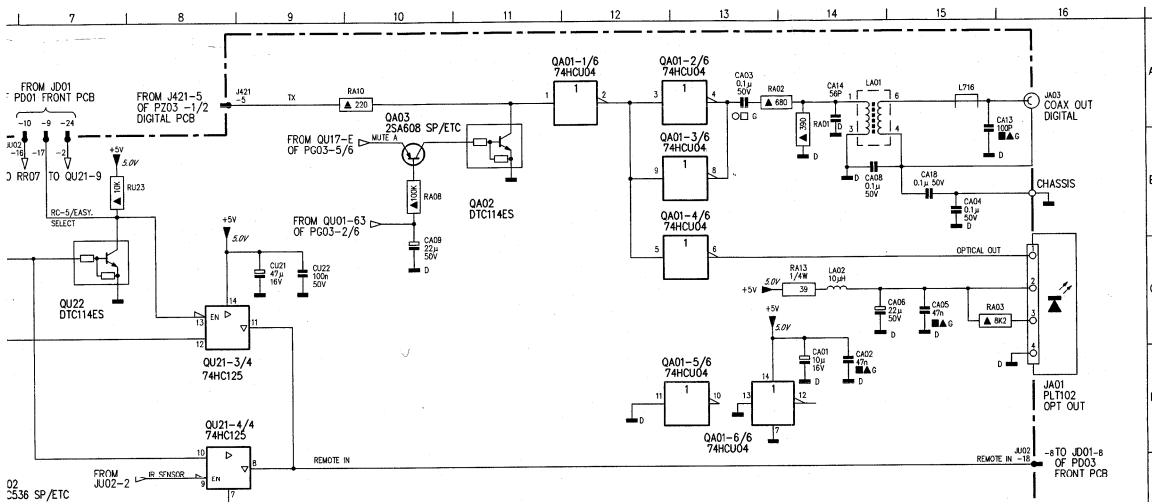
A
B
C
D
E
F
G
H
I
J
K



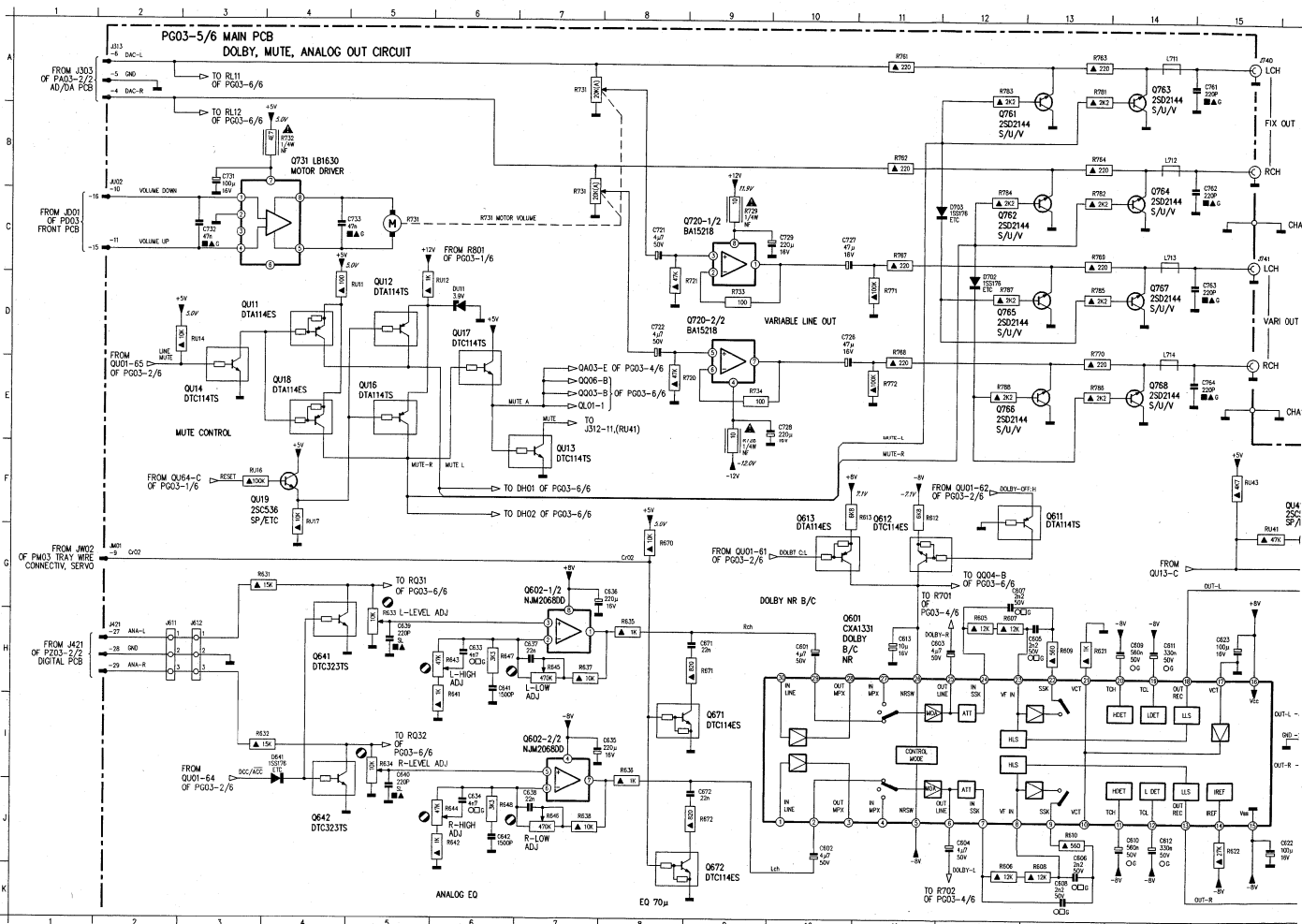


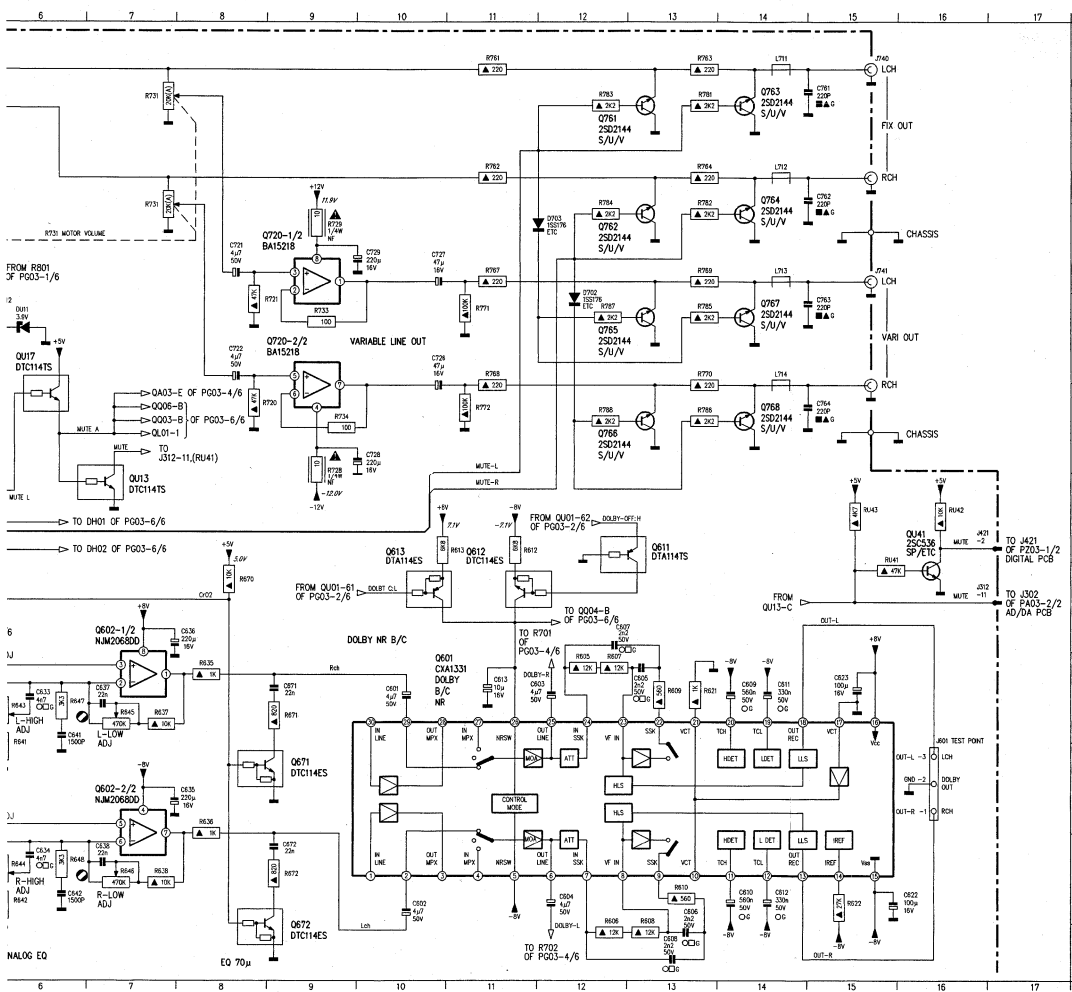
- A CM01 D14
- CM21 B10
- CM22 B10
- CM23 F10
- CM52 F10
- CU33 H10
- CU54 G11
- DM01 C12
- DM02 D8
- DM22 D8
- DM23 D8
- DM51 H8
- DM52 H8
- DM53 H8
- J421-01 C2
- JM01-1 G16
- JM01-2 H2
- JM01-3 I2
- JM01-4 H16
- JM01-5 G2
- JM01-6 H16
- JM01-7 H8
- JM01-8 H16
- JM05-1 C16
- JM05-2 A16
- JM05-3 C16
- JM05-4 B16
- JM05-5 B16
- JM05-6 A16
- JM05-7 B16
- JM05-1 D2
- JM05-2 D2
- JM04-1 F16
- JM04-2 F16
- JU02-25 E16
- JU02-8 F2
- JU02-9 F2
- QM01 D14
- QM02 D14
- QM03 D13
- QM04 C12
- QM21 A8
- QM22 D8
- CM51 H4
- CM52 H4
- CM53 C4
- CM54 H14
- CM55 A5
- CM56 C5
- CM57 G15
- CR51 H4
- CR52 G4
- CU54 H11
- CU55 H11
- CU56 H3
- FR71 C5
- FR74 I2
- FR81 D13
- FRM02 C12
- FRM03 D13
- FRM04 C14
- FRM05 C11
- FRM01 D7
- FRM2 D9
- FRM3 B7
- FRM4 A6
- FRM5 H8
- FRM2 H8
- FRM4 D3
- FRM5 D3
- FRM6 D3
- FRM7 F7
- FRM8 F7
- FRM9 G7
- FRM2 G14
- FRM4 A4
- FRM6 B5
- FRM8 B5
- FRM9 H3
- FRM0 C3
- FRM1 B3
- FRM2 G15
- FRM3 G15
- FR51 H4
- FR52 F4
- FR55 H11
- FR56 H10
- FR57 H3



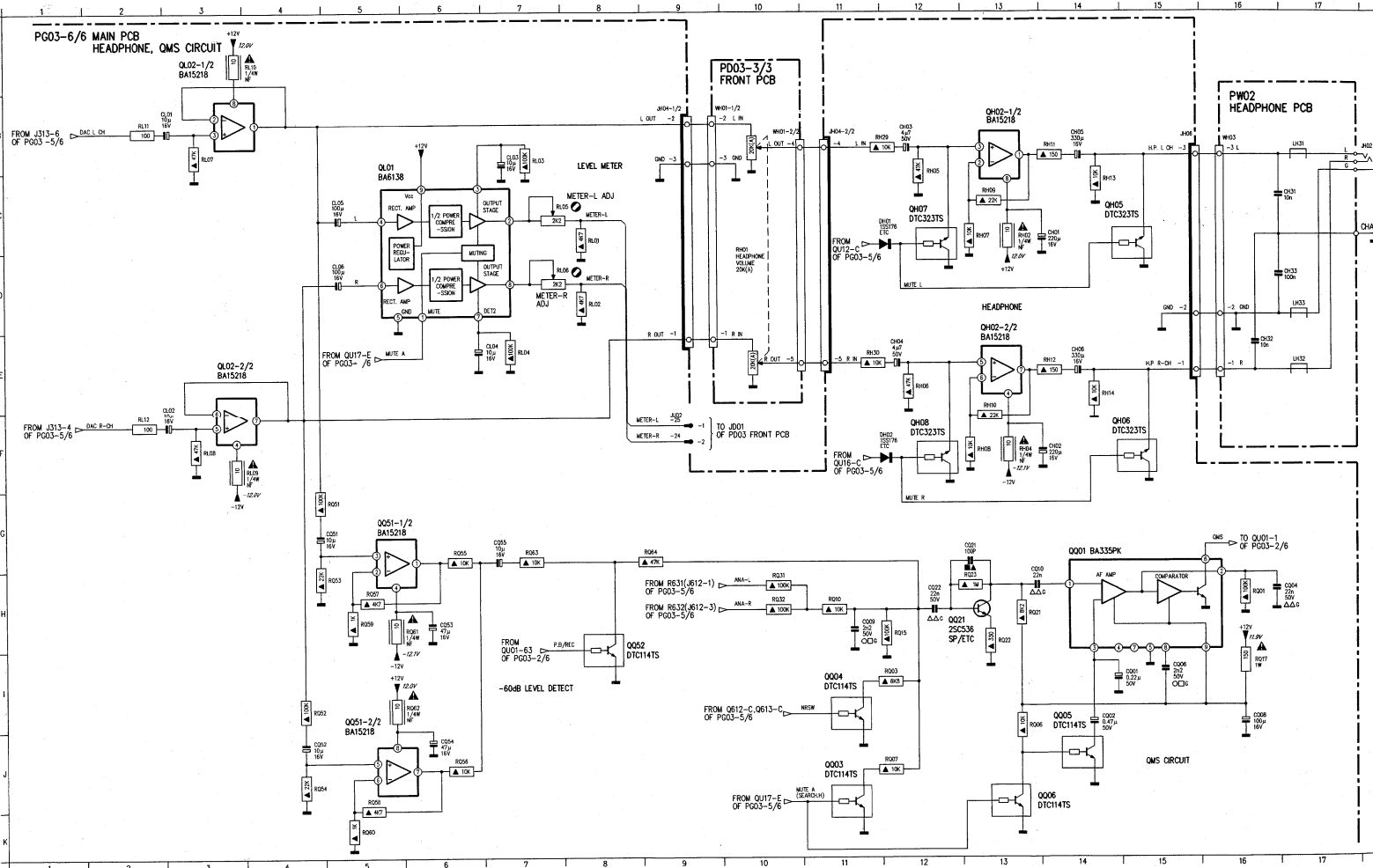


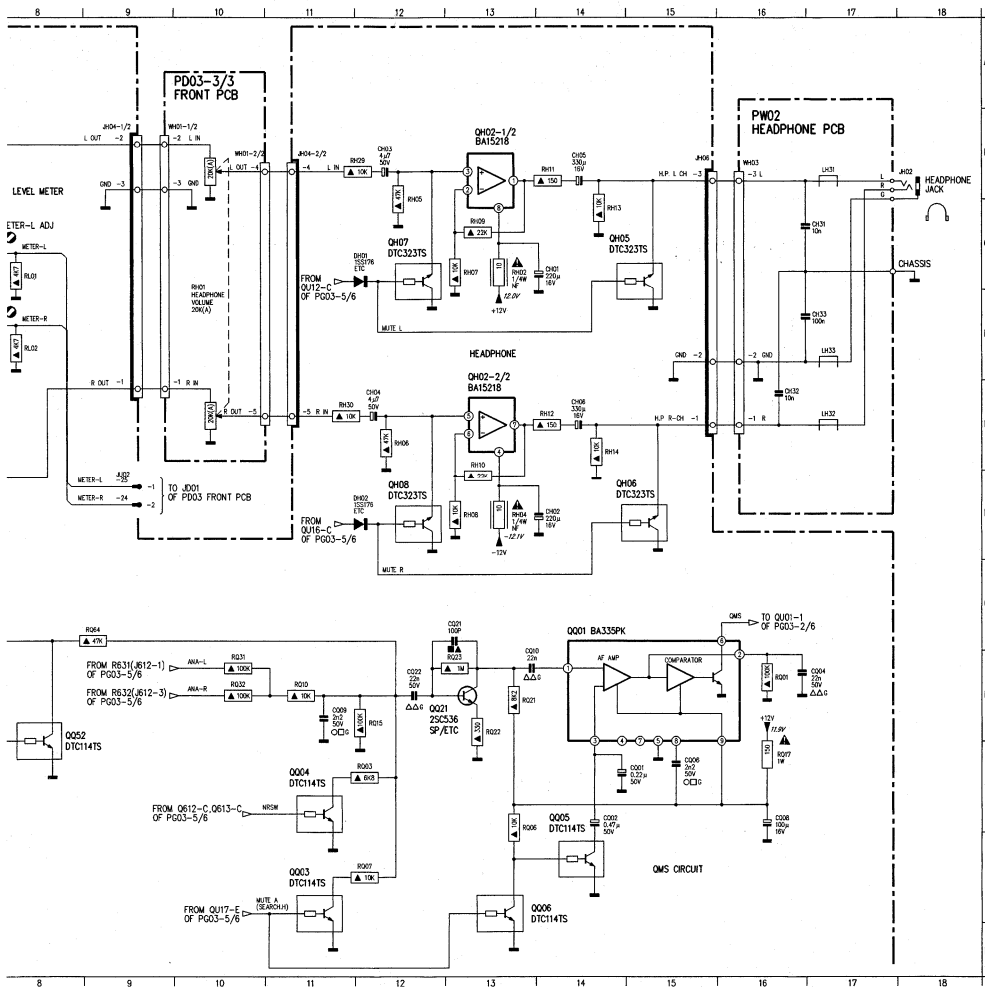
C751	F1	QU21-3/4	C8
C752	G1	QU21-4/4	E9
C753	F2	QU22	C7
C754	G2	QU27	C4
C755	H4	RR01	G10
C757	F4	RR02	H10
CA01	D14	RR03	G11
CA02	D14	RR04	H11
CA03	A13	RR05	F8
CA04	B15	RR06	H9
CA05	C15	RR07	H9
CA06	C14	RR08	H3
CA07	A2	RR09	H3
CA08	B14	RR52	F2
CA09	C10	RR54	G2
CA12	B2	RR55	F3
CA13	B15	RR56	G3
CA14	A14	RR58	G3
CA17	A1	RR59	F3
CA18	B15	RR61	A14
CA19	C2	RA02	C15
CR01	D5	RA03	C15
CR02	C5	RA04	A5
CR03	E1	RA05	A10
CR04	E3	RA06	B10
CR08	E1	RA10	A10
CU21	CP	RA17	C2
CU22	CP	RA14	B3
CV01	F6	RA15	B3
CV02	G6	RA17	C2
CV03	H1	RR01	C5
D701	DB	RR02	D2
DR01	E5	RR03	E5
J311-1	F16	RR04	E6
J311-2	F16	RR05	F8
J311-3	F16	RR06	G9
J311-4	F16	RR07	D4
J311-5	G16	RL23	B7
J311-6	F16	RV01	F7
J421-3	A4	RV02	F8
J421-4	A4	RV03	F5
J421-5	A4	RV04	G5
J421-6	A4	SP01	B9
J421-7	A4	WW01	F4
J701	F4	WW02	F5
J702	F8		
J703	F4		
J704	F1		
J705	F1		
J706	D1		
J707	H7		
J708	B7		
J709	D7		
J710	B7		
J711	D7		
J712	B7		
J713	D7		
J714	B7		
J715	D7		
J716	B7		
J717	D7		
J718	B7		
J719	D7		
J720	B7		
J721	D7		
J722	B7		
J723	D7		
J724	B7		
J725	D7		
J726	B7		
J727	D7		
J728	B7		
J729	D7		
J730	B7		
J731	D7		
J732	B7		
J733	D7		
J734	B7		
J735	D7		
J736	B7		
J737	D7		
J738	B7		
J739	D7		
J740	B7		
J741	D7		
J742	B7		
J743	D7		
J744	B7		
J745	D7		
J746	B7		
J747	D7		
J748	B7		
J749	D7		
J750	B7		
J751	D7		
J752	B7		
J753	D7		
J754	B7		
J755	D7		
J756	B7		
J757	D7		
J758	B7		
J759	D7		
J760	B7		
J761	D7		
J762	B7		
J763	D7		
J764	B7		
J765	D7		
J766	B7		
J767	D7		
J768	B7		
J769	D7		
J770	B7		
J771	D7		
J772	B7		
J773	D7		
J774	B7		
J775	D7		
J776	B7		
J777	D7		
J778	B7		
J779	D7		
J780	B7		
J781	D7		
J782	B7		
J783	D7		
J784	B7		
J785	D7		
J786	B7		
J787	D7		
J788	B7		
J789	D7		
J790	B7		
J791	D7		
J792	B7		
J793	D7		
J794	B7		
J795	D7		
J796	B7		
J797	D7		
J798	B7		
J799	D7		
J800	B7		





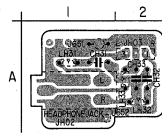
C601	H10	R605	H12
C602	J10	R606	K12
C603	H12	R607	H12
C604	J12	R608	K12
C605	H13	R609	H13
C606	K13	R610	J13
C607	S12	R611	F11
C608	K13	R612	F10
C609	H14	R621	H13
C610	J14	R622	K13
C611	H14	R631	Q3
C612	J14	R632	I3
C613	H11	R633	H5
C622	J16	R634	I5
C623	H16	R635	H8
C633	H8	R636	I8
C634	H8	R637	H7
C635	J7	R638	J7
C636	G7	R641	H6
C637	H7	R642	J6
C638	J7	R643	H6
C639	H5	R644	J5
C640	J5	R645	H7
C641	H6	R646	J7
C642	J6	R647	H6
C671	H9	R648	J5
C672	J9	R670	G8
C721	C8	R671	H8
C722	D8	R672	J9
C723	D10	R720	E8
C727	C10	R721	C8
C728	E9	R726	S9
C729	C8	R729	C9
C731	S3	R731	C9
C732	C3	R732	B4
C733	C4	R733	D9
C761	A15	R734	S9
C762	B15	R761	A11
C763	D15	R762	B11
C764	E15	R763	A13
D641	I4	R764	B13
D702	D12	R767	C11
D703	C12	R768	D11
DU11	D6	R769	C13
J119-11	G17	D770	F13
J313-4	A2	R771	D11
J313-5	A2	R772	E11
J313-6	A2	R781	A13
J421-2	F17	R782	C13
J421-27	H2	R783	A12
J421-28	H2	R784	C12
J421-29	H2	R785	D13
J601	I16	R786	E13
J611	H2	R787	D12
J612	H3	R788	E12
J740	A16	RJ11	D4
J741	C16	RJ12	D6
JM01-9	S2	RJ13	D3
JU02-10	C2	RJ16	F3
JU02-11	C2	RJ17	F4
L711	A14	RJ41	B15
L712	B14	RJ42	B15
L713	C14	RJ43	G15
L714	D14		
O601	H10		
O602-1/2	H7		
O611	F12		
O612	G11		
O613	G10		
O641	H4		
O642	J4		
O671	I8		
O672	I9		
Q720-1/2	C9		
Q720-2/2	D9		
Q731	B4		
Q781	A13		
Q782	C13		
Q783	A14		
Q784	C13		
Q785	A14		
Q786	C13		
Q787	E13		
Q788	E14		
QU11	D4		
QU12	F4		
QU13	F7		
QU14	E3		
QU16	E5		
QU17	E8		
QU18	E4		
QU19	F4		
QU41	G16		





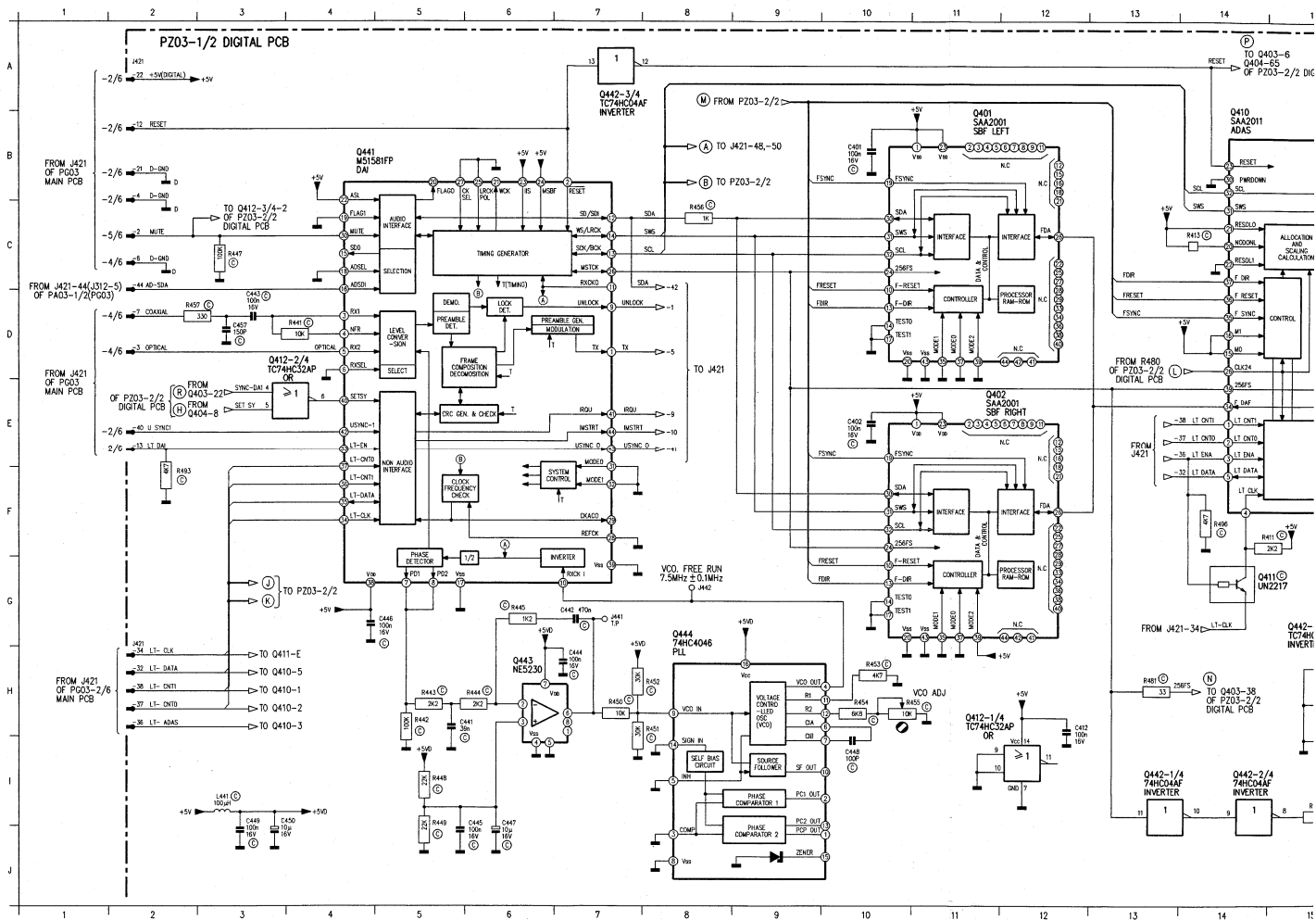
CH01	C14	LH32	E17	RL04	E7
CH02	F14	LH33	D17	RL05	F7
CH03	B12	QH02-1/2	B13	RL06	D7
CH04	E12	QH02-2/2	E13	RL07	B3
CH05	B14	QH05	C15	RL08	F3
CH06	E14	QH06	F15	RL09	F3
CH11	C18	QH07	C12	RL10	A3
CH32	E16	QH08	F12	RL11	B2
CH33	D16	QL01	C5	RL12	F2
CL01	B3	QL02-1/2	B3	RO01	H18
CL02	F3	QL02-2/2	F3	RO03	H12
CL03	B7	Q001	H4	RO06	H13
CL04	E7	Q003	J11	RO07	J12
CL06	C5	Q004	I11	RO10	H11
CL06	D5	Q005	J14	RO15	H12
CO01	I14	Q006	J13	RO17	H18
CO02	I14	Q021	H13	RO21	H13
CO04	H16	Q051-1/2	G5	RO22	H13
CO06	H15	Q051-2/2	J5	RO23	H13
CO08	H6	Q052	H8	RO31	H10
CO09	H11	RH01	B10	RO35	G8
CO10	H13	RH02	C13	RO31	G4
CO21	G13	RH04	F13	RO32	I4
CO22	H12	RH05	B16	RO33	H4
CO25	G4	RH06	E12	RO54	J4
CO26	J4	RH07	C13	RO55	G8
CO23	H6	RH08	F13	RO56	J6
CO24	J6	RH09	C13	RO57	H5
CO25	G7	RH10	F13	RO58	K5
DH01	C12	RH11	B14	RO59	H5
DH02	F12	RH12	E14	RO60	K5
JH02	B18	RH13	C14	RO81	H5
JH04	B9	RH14	E14	RO82	I5
JH06	B15	RH09	B12	RO83	G7
JH06	D15	RH50	E11	RO64	G9
JU02-24	F6	RL01	C8	WH01	B10
JU02-25	F9	RL02	D8	WH03	B16
LH31	B17	RL03	B7	WH03	D16

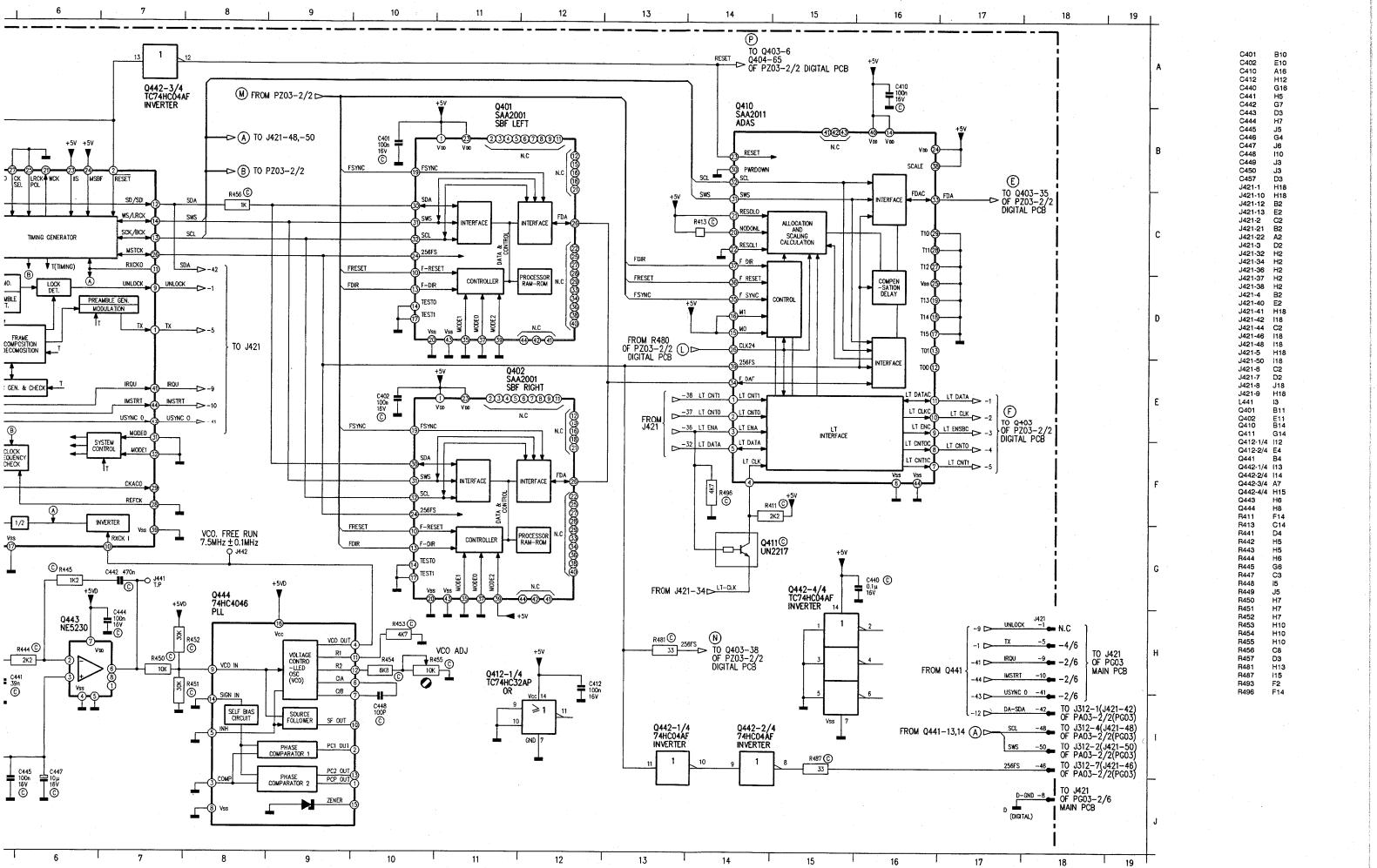
HEADPHONE PCB (PW02)



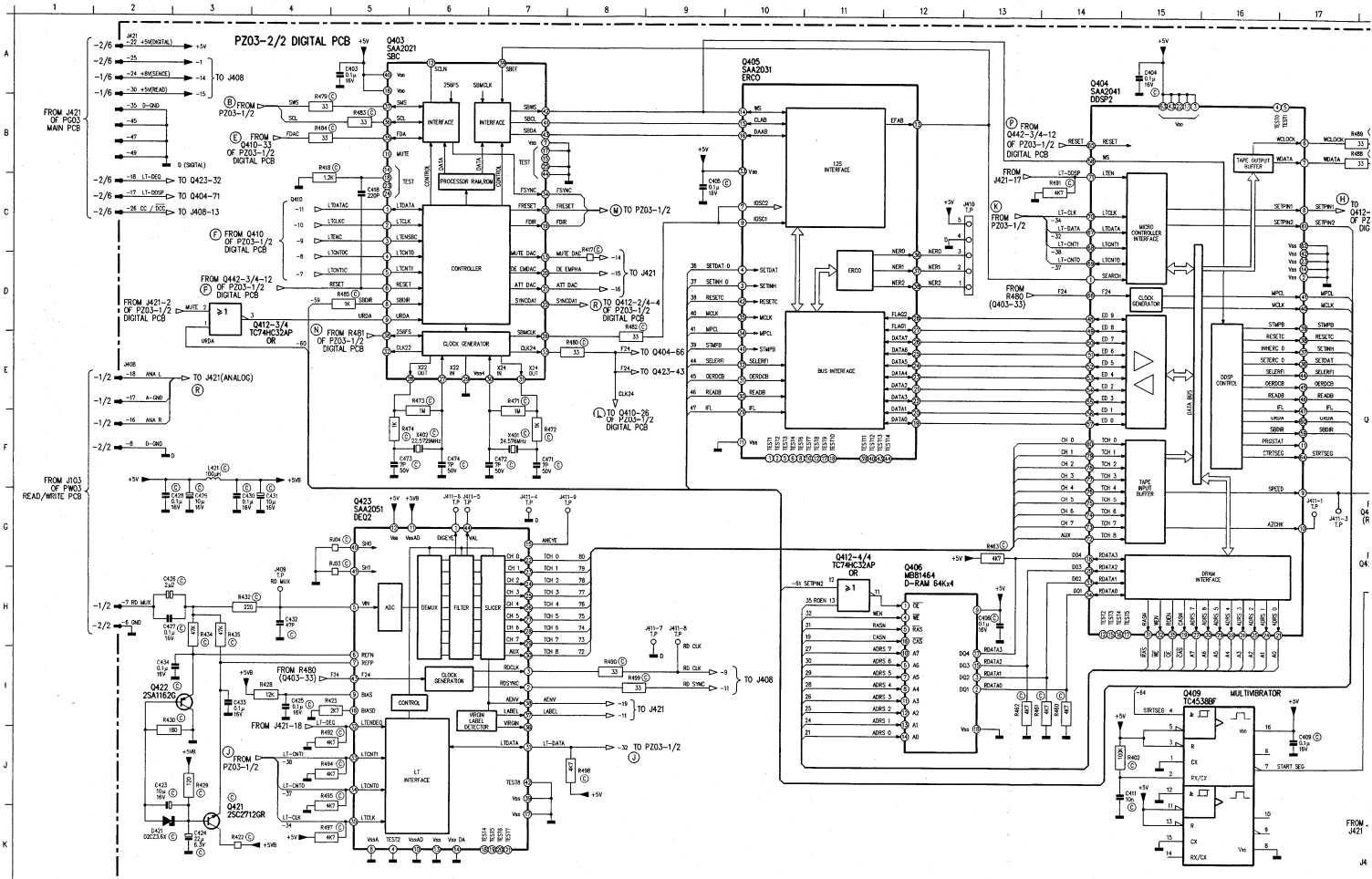
CH31	A-1
CH32	A-2
CH33	A-2
JH32	A-1
JH03	A-2
LH31	A-1
LH32	A-2
LH33	A-2
UH01	A-1
UH02	A-1

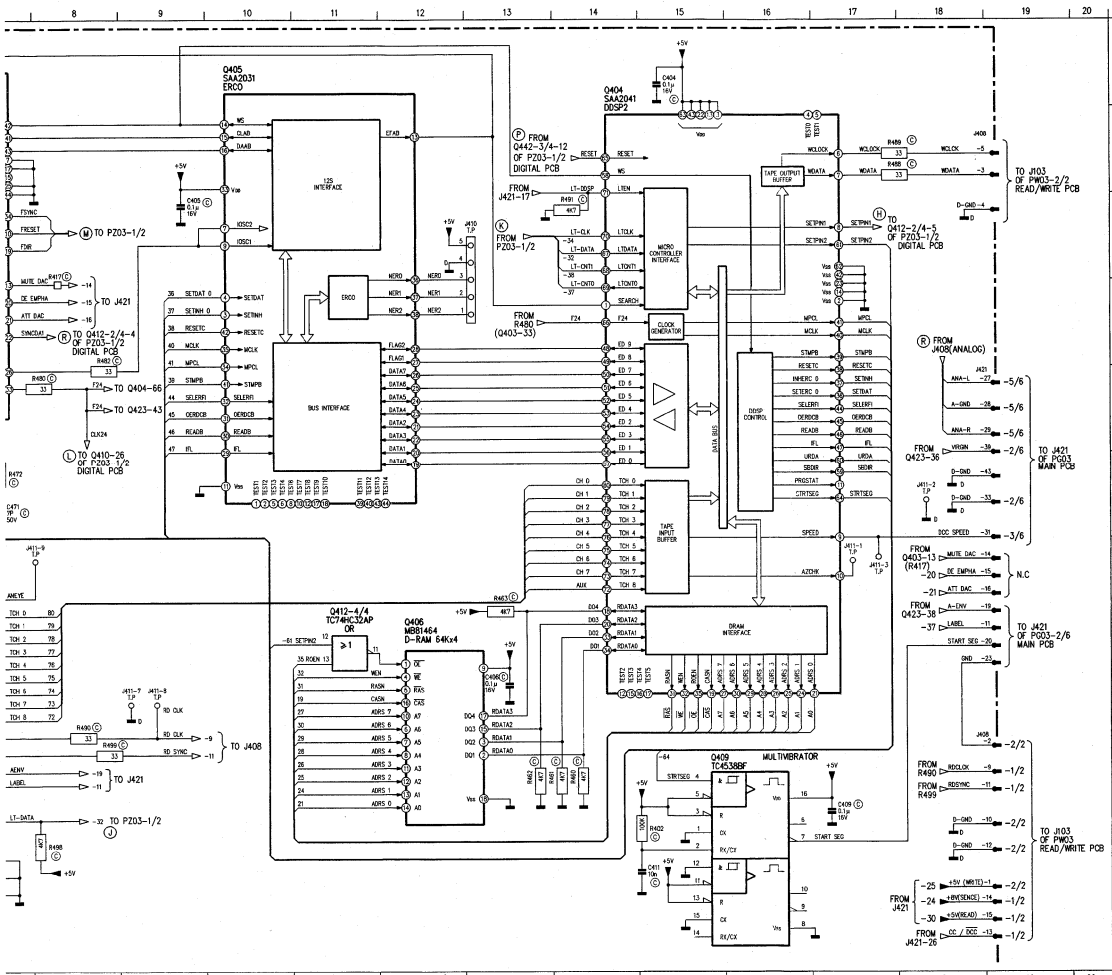
YN005D233-2





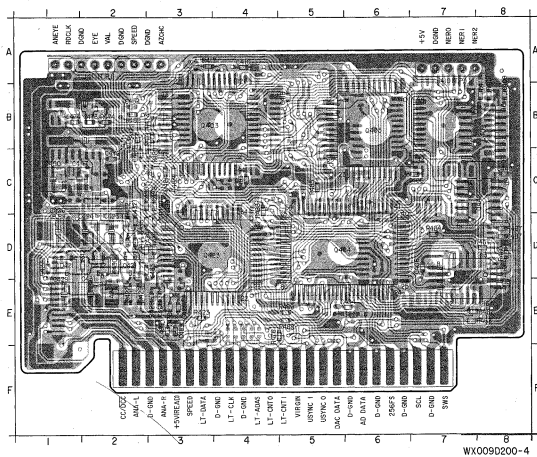
C401	B10
C402	E10
C410	A16
C412	H12
C440	O16
C441	H5
C442	G7
C443	D5
C444	H7
C445	J5
C446	G4
C447	J6
C448	J10
C449	J3
C450	J3
C457	D3
J421-1	H18
J421-10	H18
J421-12	B2
J421-13	E2
J421-22	A2
J421-23	B2
J421-32	H2
J421-34	H2
J421-36	H2
J421-38	H2
J421-4	B2
J421-40	E2
J421-41	H18
J421-42	H18
J421-44	C2
J421-46	H18
J421-48	H18
J421-5	H18
J421-50	H18
J421-6	C2
J421-7	D2
J421-8	J18
J421-9	H18
L441	3
O401	B11
O402	E11
C410	B11
O411	O14
O412-1/4	O12
O412-2/4	E4
O441	B4
O442-1/4	H10
O442-2/4	H14
O442-3/4	A7
O442-4/4	H18
O443	H0
C444	H0
R411	F14
R413	C14
R441	D4
R442	H5
R443	H5
R444	H6
R445	G8
R447	C3
R448	J5
R449	J5
R450	H7
R451	H7
R452	H7
R453	H10
R454	H10
R455	H10
R456	C8
R457	C3
R481	H13
R487	H15
R493	F2
R496	F14





C403	A5	J421-26	C19
C404	A15	J421-27	E2
C405	C9	J421-28	E19
C406	H13	J421-29	E19
C407	J17	J421-30	A2
C411	J15	J421-31	F19
C418	C5	J421-33	F19
C423	J2	J421-35	B2
C424	K3	J421-39	E19
C425	I4	J421-43	F19
C426	H2	J421-45	B2
C427	H2	J421-46	B2
C428	G2	J421-48	B2
C429	G3	J421-49	F2
C430	G3	J421-51	F19
C431	G4	O403	A5
C432	H4	O404	B14
C433	I3	O405	A10
C434	I3	O406	H12
C435	I3	O409	I19
C472	F7	O412-34	D3
C473	F5	O412-34	D3
C474	H8	O412-40	H11
C475	H8	O421	K3
D421	K2	O422	I9
D422	I9	O423	I9
J406-1	K19	R402	J15
J406-10	J19	R402	J15
J406-13	K19	R417	D8
J406-14	K19	R419	C4
J406-18	K19	R422	K3
J406-17	E2	R423	I9
J406-18	E2	R428	I4
J406-2	I19	R429	J3
J406-3	B19	R432	H3
J406-4	C19	R433	H3
J406-5	B19	R435	H3
J406-6	H2	R460	I14
J406-7	H2	R461	I14
J406-9	I19	R462	H3
J406	H4	R463	G13
J406-11	I19	R471	E7
J406-12	J19	R472	F7
J410	C13	R473	E6
J411-1	G17	R474	F5
J411-2	F19	R476	I6
J411-3	G17	R479	B4
J411-4	G7	R480	E8
J411-5	G6	R482	E8
J411-6	G6	R483	B5
J411-7	H9	R484	B4
J411-8	H9	R485	D5
J411-9	G8	R486	B17
J411-10	H19	R489	B17
J421-14	G19	R490	I8
J421-15	G19	R491	B14
J421-16	F2	R492	J4
J421-18	G19	R493	J4
J421-17	C2	R495	J4
J421-18	C2	R487	K4
J421-19	G19	R488	B8
J421-20	H19	R499	I8
J421-22	A2	F403	B5
J421-23	H19	F404	G5
J421-24	A2	X401	F7
J421-25	A2	X402	F7

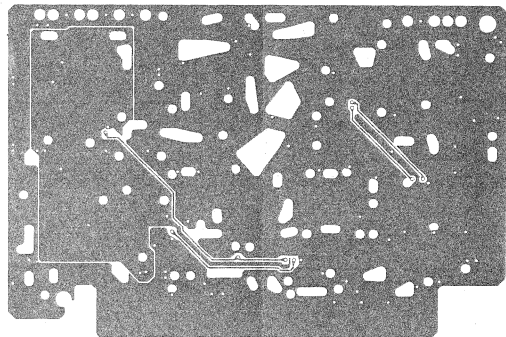
DIGITAL PCB A SIDE (PZ03)



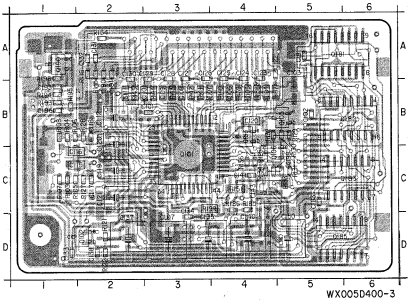
- C403 C4
- C404 E8
- C405 C7
- C406 D7
- C409 B8
- C410 A4
- C411 B8
- C418 B5
- C423 D2
- C424 D2
- C425 E3
- C428 D1
- C429 D1
- C429 E3
- C429 E1
- C430 E3
- C431 E2
- C432 D2
- C433 D2
- C434 D2
- C440 D8
- C447 C1
- C450 C1
- C471 B2
- C472 C2
- C473 B2
- C474 B1
- C480 C2
- C481 C3
- C482 D8
- C487 D8
- C488 E3
- C489 E3
- C490 C2
- C498 C3
- D421 D1
- J410 A7
- J411 A2
- L421 E2
- R403 B3
- Q404 D6
- Q405 B6

- Q406 D7
- Q409 B8
- Q421 D2
- Q422 D2
- Q423 D3
- Q440 D8
- R402 B8
- R417 A3
- R418 A3
- R421 D2
- R422 E2
- R423 E3
- R428 E3
- R429 E2
- R430 D2
- R432 D2
- R434 D2
- R438 D3
- R460 D6
- R461 D8
- R462 E7
- R463 E7
- R464 D7
- R471 B8
- R472 B2
- R473 B3
- R474 B2
- R476 E5
- R480 C3
- R481 C3
- R482 B2
- R483 C3
- R485 C6
- R487 D8
- R488 E5
- R489 E5
- R490 D2
- R498 C4
- R499 C3
- X401 B2
- X402 B2

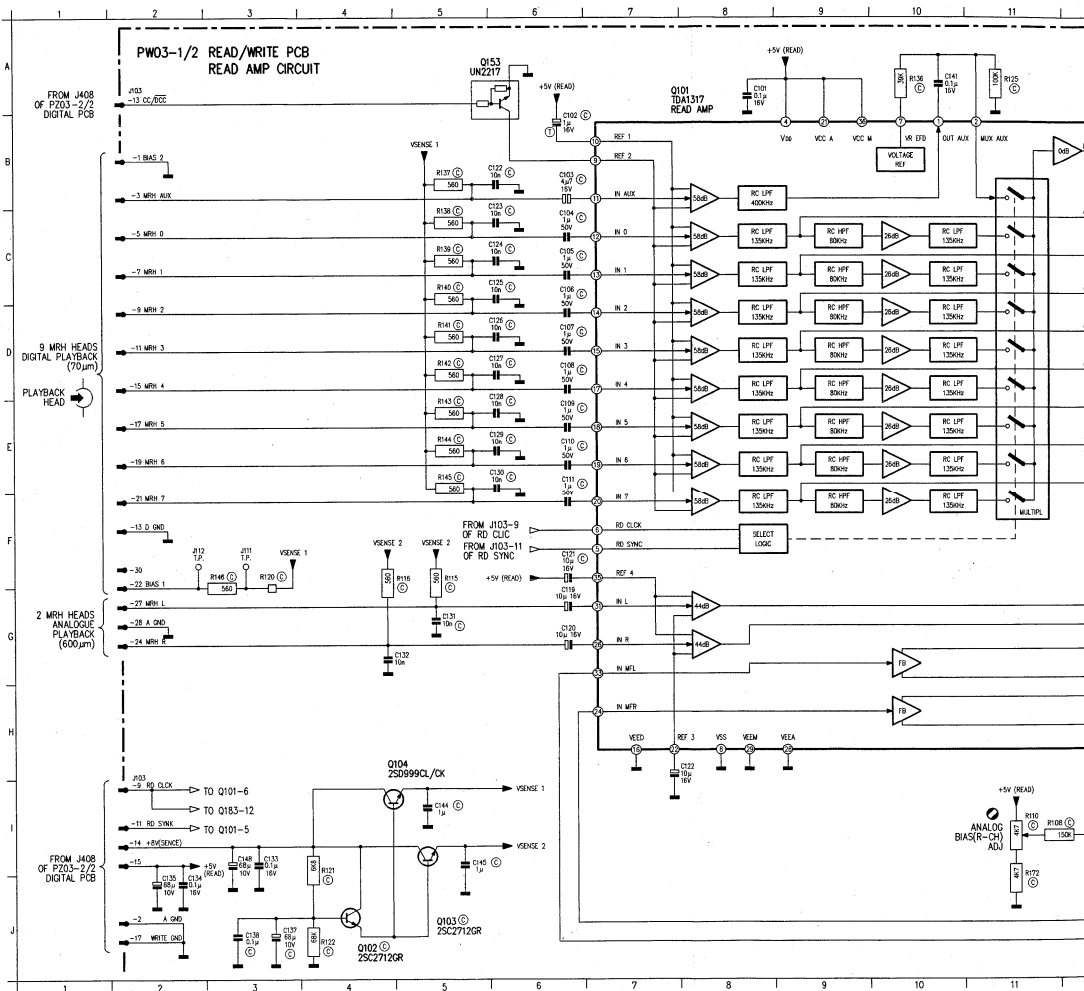
MIDDLE LAYER PATTERN

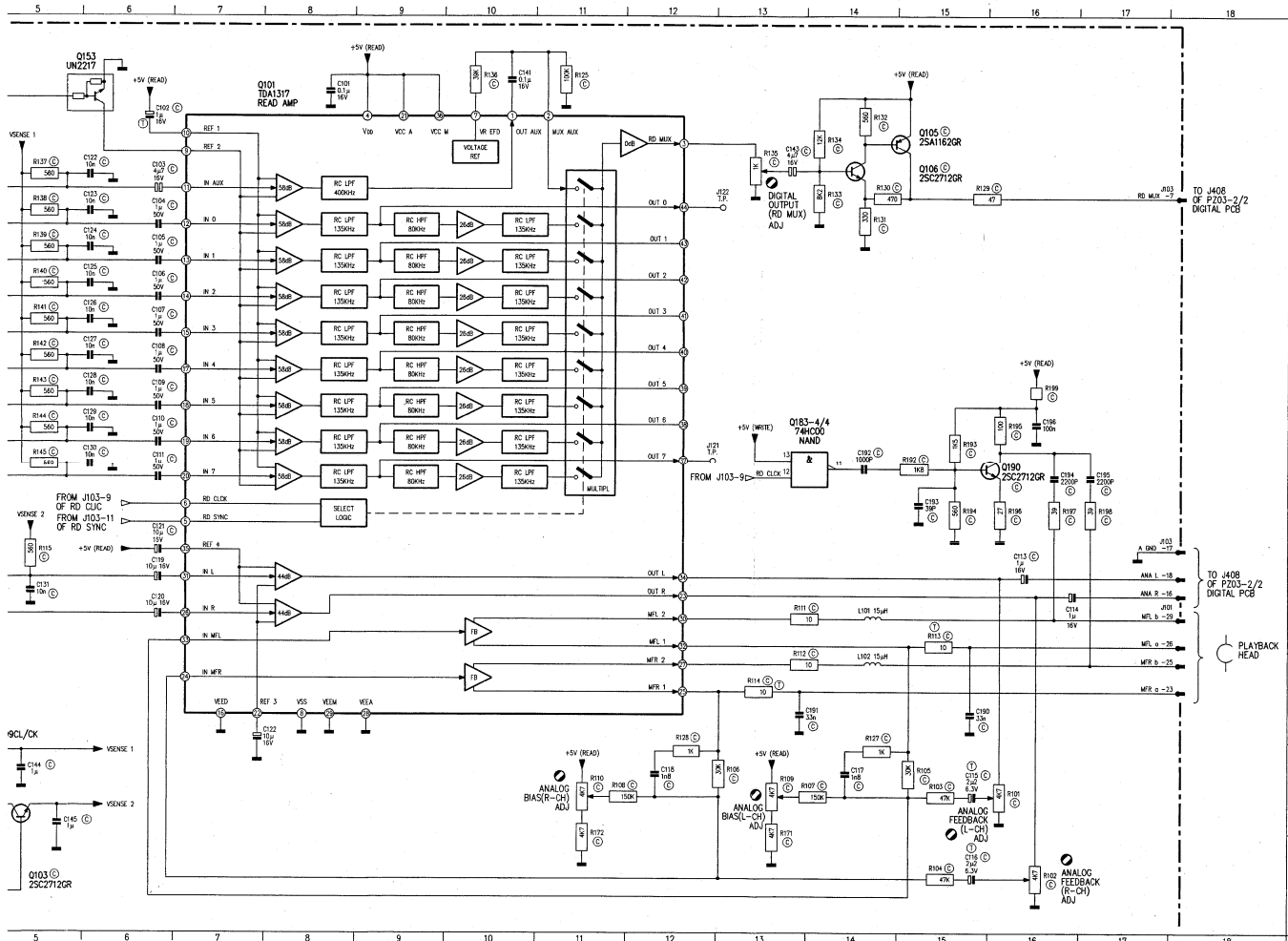


READ WRITE PCB A SIDE (PW03)



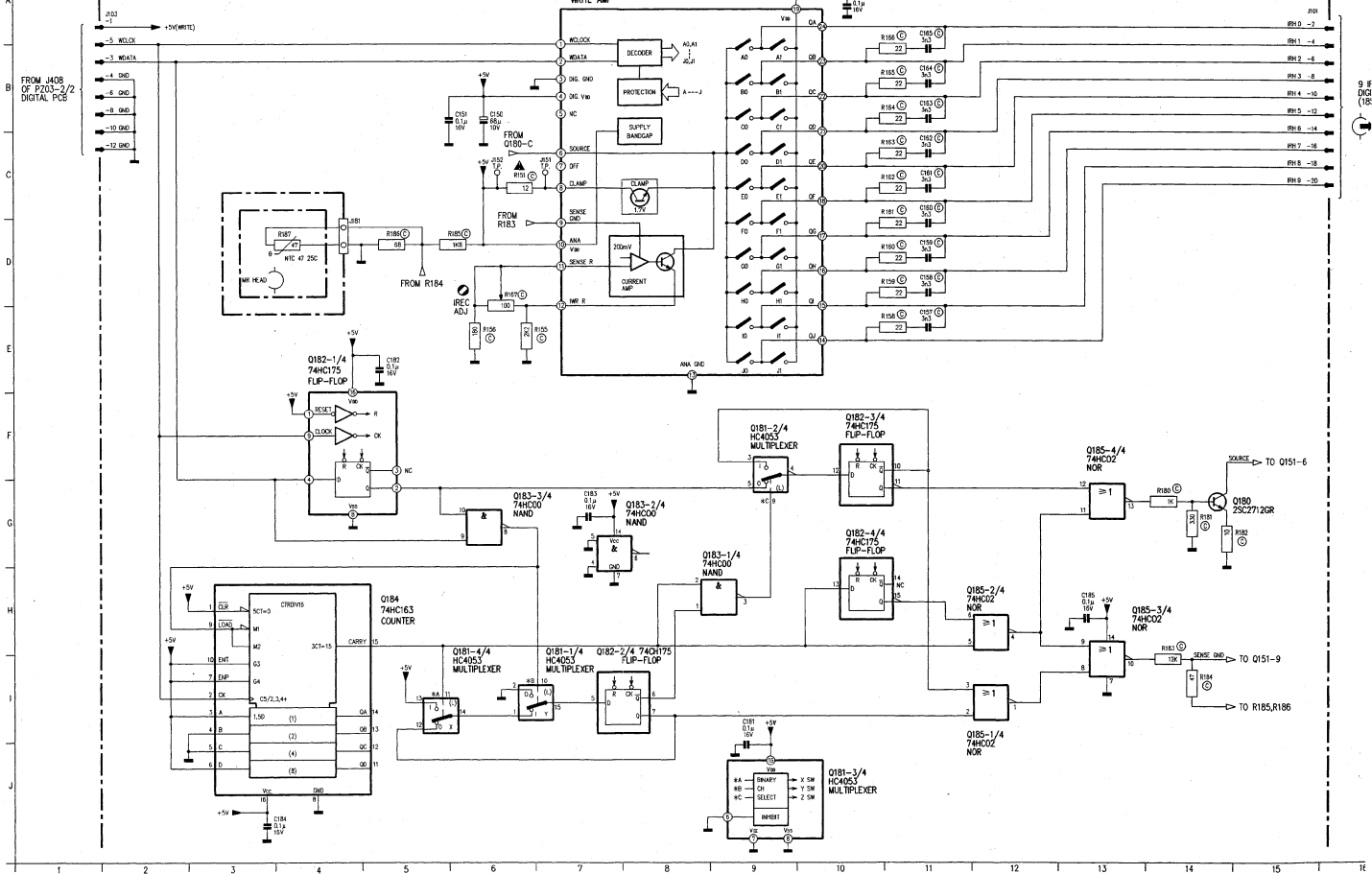
C101	B3	Q101	C3
C103	B5	Q102	D2
C104	B4	Q102	B5
C105	B4	Q106	C4
C108	B4	Q153	B4
C107	B3	Q181	A5
C108	B3	Q182	B6
C109	B3	Q183	C6
C110	B3	Q185	D5
C111	B2	Q190	A1
C112	B2	R103	C1
C115	C1	R104	B1
C116	C1	R106	A1
C117	C2	R108	B1
C119	C2	R109	B1
C118	B2	R107	C1
C121	C2	R108	B1
C122	A4	R115	A2
C120	B4	R116	A2
C121	C2	R121	D2
C122	A4	R122	D2
C123	A4	R125	C4
C124	A4	R127	C2
C125	A4	R128	B2
C128	A3	R129	B5
C127	A3	R130	B5
C128	A3	R131	C5
C129	A3	R132	B4
C130	A2	R133	C5
C131	A2	R134	C4
C132	A2	R136	C4
C133	D1	R137	B4
C134	D3	R138	B4
C135	D3	R139	B4
C137	D2	R140	B4
C138	D2	R141	B3
C140	D4	R142	B3
C141	C4	R143	B3
C143	C4	R144	B3
C150	D5	R145	B2
C181	A5	R151	C4
C182	B5	R154	A2
C183	C5	R185	C4
C190	A2	R186	A4
C191	A2	R193	B1
C193	B1	R194	B1
C198	B1	R195	B1
C197	D3	R196	A1
C198	C4	R199	C3



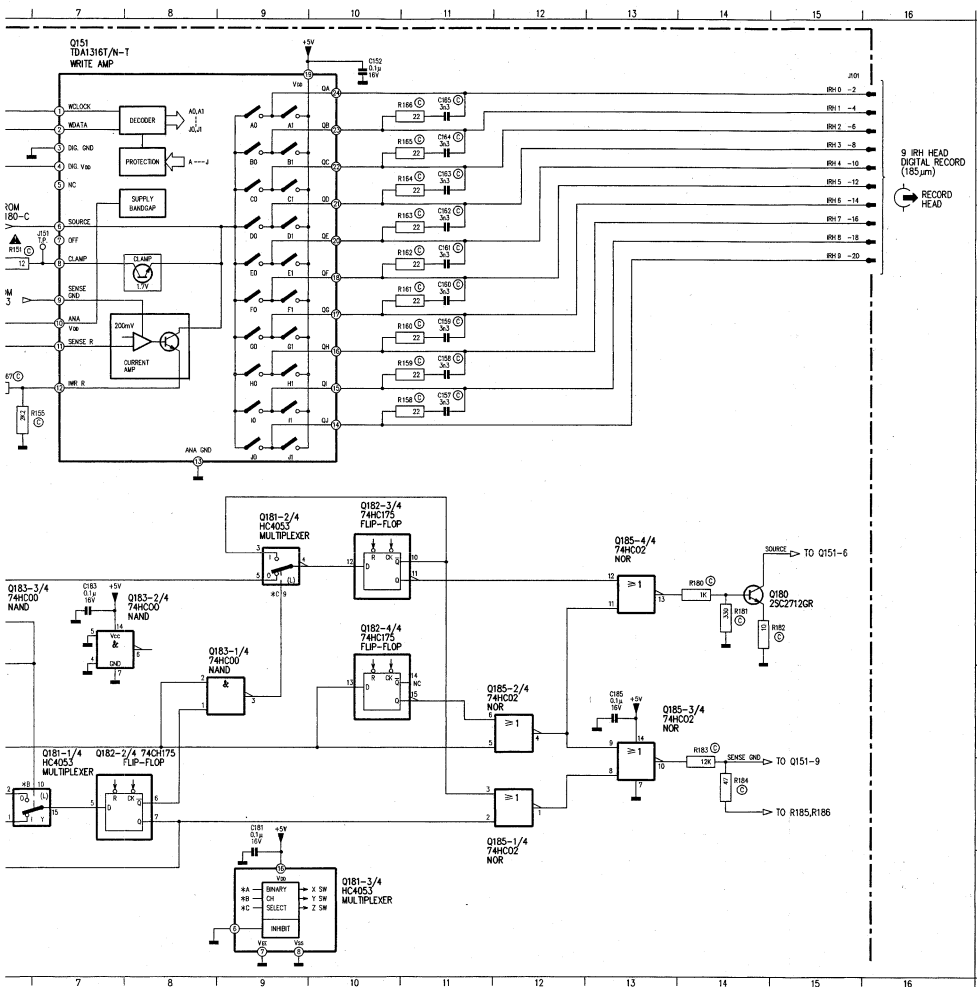


C101	A6	J103-3	B2
C102	E6	J103-30	F2
C103	B6	J103-5	C6
C104	C6	J103-7	B16
C105	C6	J103-7	C2
C106	D6	J103-9	D2
C107	D6	J103-9	I2
C108	E6	J103-9	I2
C109	E6	J112	F2
C110	E6	J121	E12
C111	E6	J122	E12
C112	G18	L101	G14
C113	G18	L101	G14
C114	G18	L102	H14
C115	I15	Q101	E7
C116	J15	Q102	J4
C117	I14	Q103	I3
C118	I12	Q104	I4
C119	H12	Q105	F6
C120	G6	Q106	B14
C121	F6	Q153	A6
C122	H6	Q183-14	E14
C122	H7	Q190	E16
C123	C6	R101	I16
C124	C6	R102	J16
C125	C6	R103	I16
C126	D6	R104	J15
C127	D6	R105	I15
C128	E6	R106	I13
C129	E6	R107	I14
C130	E6	R108	I11
C131	G6	R109	I13
C132	G4	R110	I11
C133	I3	R111	G13
C134	J2	R112	H13
C135	J2	R113	G13
C137	J3	R115	F5
C138	J3	R116	F4
C143	B13	R120	F3
C144	I5	R121	I4
C145	I5	R122	J4
C146	I3	R125	A11
C190	H15	R132	H14
C181	H13	R128	I12
C182	E14	R129	B15
C183	F15	R130	B14
C184	F16	R131	C14
C185	F17	R132	B14
C186	E16	R133	B14
C187	H16	R134	B14
C188	E16	R135	B14
C189	F16	R136	A10
C190	F17	R137	B6
C191	F18	R138	C5
C192	F18	R139	C5
C193	F18	R140	C5
C194	F18	R141	D5
C195	F18	R142	D5
C196	F18	R143	E5
C197	F18	R144	E5
C198	F18	R145	E5
C199	F18	R146	F3
C200	F18	R147	J13
C201	F18	R148	J13
C202	F18	R149	J13
C203	F18	R150	J13
C204	F18	R151	J13
C205	F18	R152	J13
C206	F18	R153	J13
C207	F18	R154	J13
C208	F18	R155	J13
C209	F18	R156	J13
C210	F18	R157	J13
C211	F18	R158	J13
C212	F18	R159	J13
C213	F18	R160	J13
C214	F18	R161	J13
C215	F18	R162	J13
C216	F18	R163	J13
C217	F18	R164	J13
C218	F18	R165	J13
C219	F18	R166	J13
C220	F18	R167	J13
C221	F18	R168	J13
C222	F18	R169	J13
C223	F18	R170	J13
C224	F18	R171	J13
C225	F18	R172	J13
C226	F18	R173	J13
C227	F18	R174	J13
C228	F18	R175	J13
C229	F18	R176	J13
C230	F18	R177	J13
C231	F18	R178	J13
C232	F18	R179	J13
C233	F18	R180	J13
C234	F18	R181	J13
C235	F18	R182	J13
C236	F18	R183	J13
C237	F18	R184	J13
C238	F18	R185	J13
C239	F18	R186	J13
C240	F18	R187	J13
C241	F18	R188	J13
C242	F18	R189	J13
C243	F18	R190	J13
C244	F18	R191	J13
C245	F18	R192	J13
C246	F18	R193	J13
C247	F18	R194	J13
C248	F18	R195	J13
C249	F18	R196	J13
C250	F18	R197	J13
C251	F18	R198	J13
C252	F18	R199	J13
C253	F18	R200	J13
C254	F18	R201	J13
C255	F18	R202	J13
C256	F18	R203	J13
C257	F18	R204	J13
C258	F18	R205	J13
C259	F18	R206	J13
C260	F18	R207	J13
C261	F18	R208	J13
C262	F18	R209	J13
C263	F18	R210	J13
C264	F18	R211	J13
C265	F18	R212	J13
C266	F18	R213	J13
C267	F18	R214	J13
C268	F18	R215	J13
C269	F18	R216	J13
C270	F18	R217	J13
C271	F18	R218	J13
C272	F18	R219	J13
C273	F18	R220	J13
C274	F18	R221	J13
C275	F18	R222	J13
C276	F18	R223	J13
C277	F18	R224	J13
C278	F18	R225	J13
C279	F18	R226	J13
C280	F18	R227	J13
C281	F18	R228	J13
C282	F18	R229	J13
C283	F18	R230	J13
C284	F18	R231	J13
C285	F18	R232	J13
C286	F18	R233	J13
C287	F18	R234	J13
C288	F18	R235	J13
C289	F18	R236	J13
C290	F18	R237	J13
C291	F18	R238	J13
C292	F18	R239	J13
C293	F18	R240	J13
C294	F18	R241	J13
C295	F18	R242	J13
C296	F18	R243	J13
C297	F18	R244	J13
C298	F18	R245	J13
C299	F18	R246	J13
C300	F18	R247	J13

PW03-2/2 READ/WRITE PCB
WRITE AMP CIRCUIT

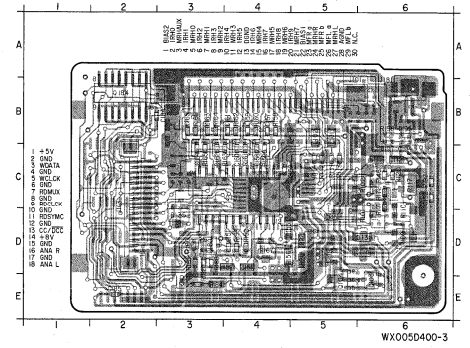


9 8 DIG (18)



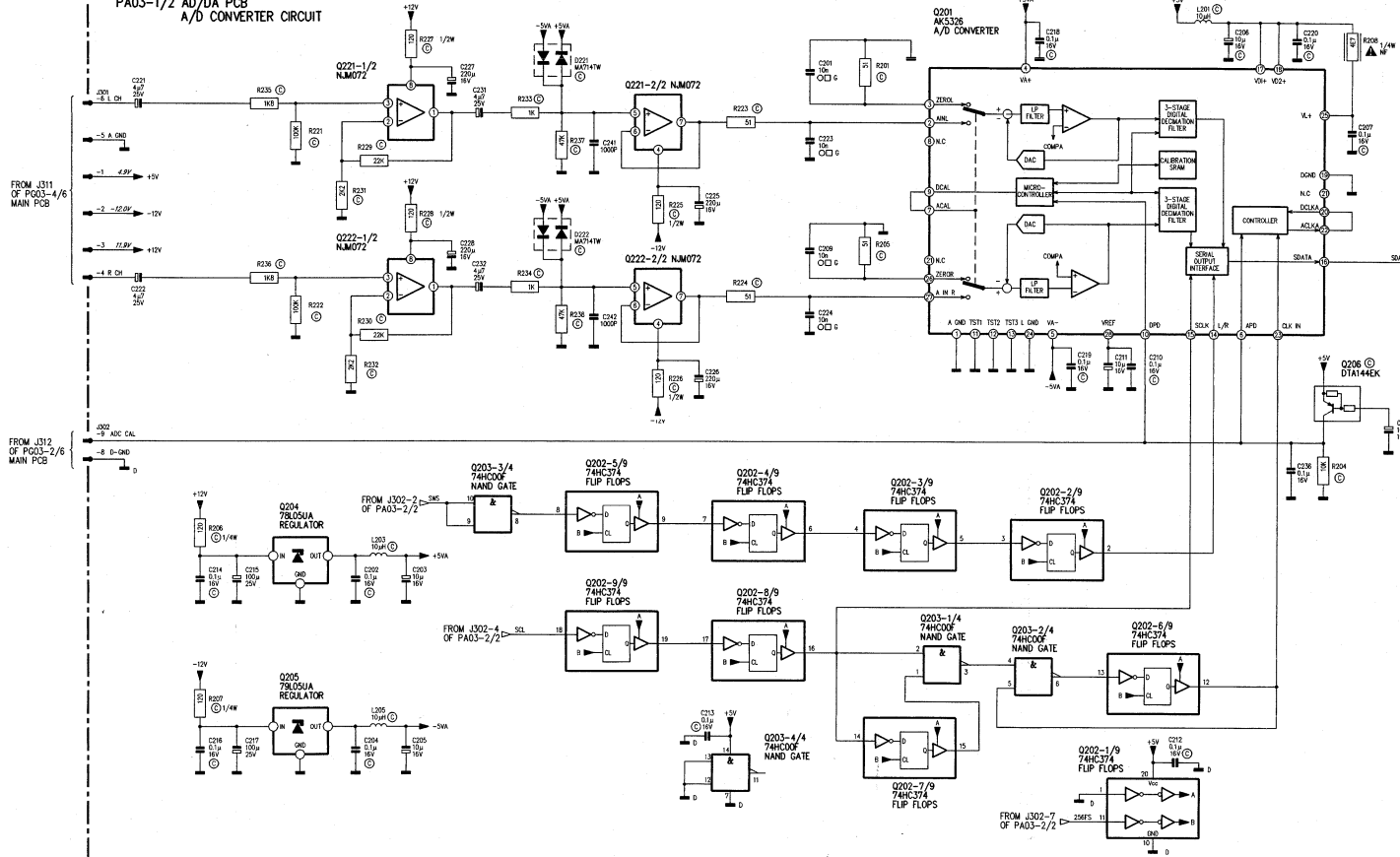
C113	D8	C195	B8	R109	D6	R163	C4
C114	D6	J101	B4	R110	D6	R164	B3
C144	D3	J103	C2	R111	C3	R165	C3
C145	D5	J111	C6	R112	C5	R166	B3
C151	D4	J112	C6	R113	C5	R167	D4
C152	C4	J121	D5	R114	C5	R171	C6
C157	B4	J122	D5	R117	C6	R172	C6
C158	C4	J151	D4	R120	C6	R182	D3
C159	B4	J152	D4	R135	D3	R181	D3
C160	C4	J181	B5	R146	C6	R146	C6
C161	B4	L101	B5	R152	D4	R183	E3
C162	C3	L102	B5	R183	D4	R184	E3
C163	B3	Q103	E9	R155	D4	R188	D3
C164	C3	Q104	E5	R156	D4	R192	C6
C165	B3	Q151	C4	R158	B4	R197	B6
C164	B3	Q150	D3	R159	C4	R198	B6
C185	E2	Q164	B2	R160	B4		
C185	C6	R101	D6	R161	C4		
C184	B6	R102	C6	R162	B4		

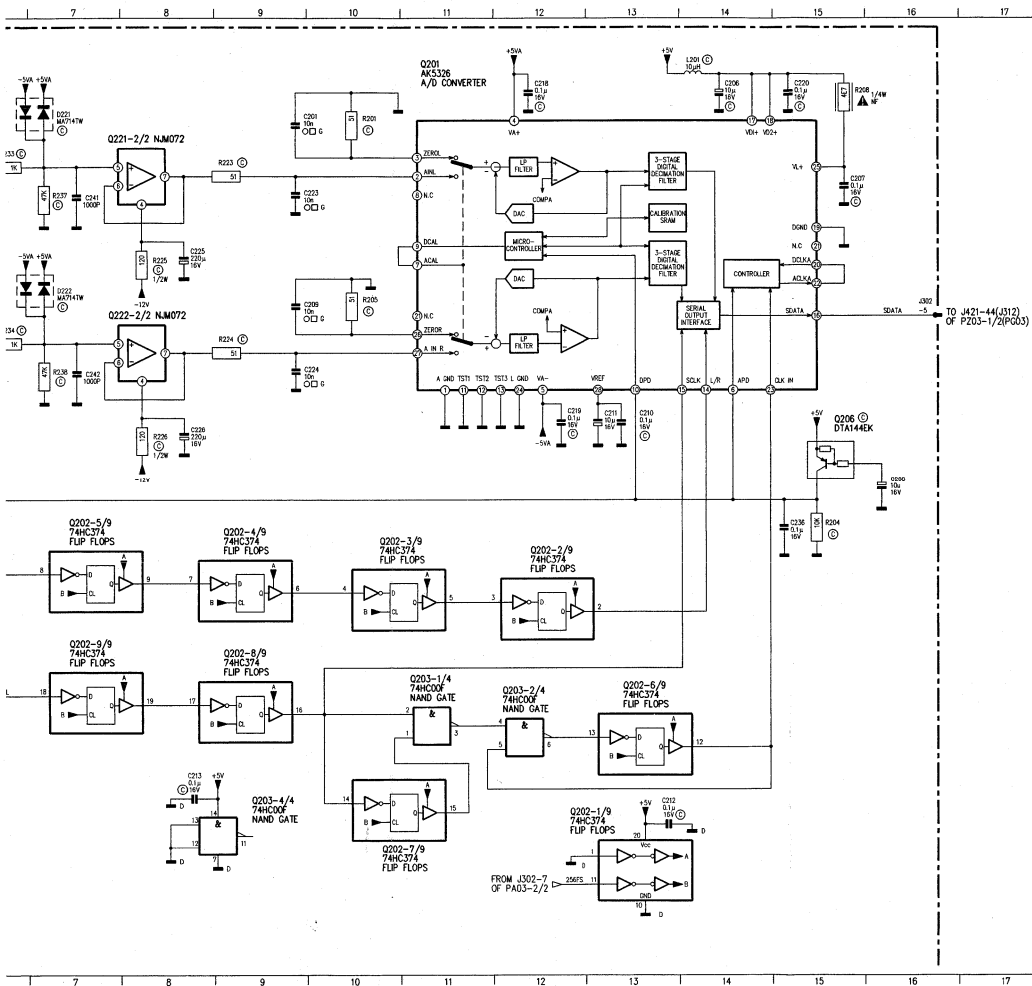
READ/WRITE PCB B SIDE (PW03)



C150	B6	J101-16	C16	C180	G14	R156	E6
C151	B5	J101-18	C16	Q181-1/4	I7	R158	E11
C152	A10	J101-2	A16	Q181-2/4	F9	R159	D11
C157	E11	J101-20	C16	Q181-3/4	J9	R160	D11
C158	D11	J101-4	A16	Q181-4/4	I5	R161	D11
C159	D11	J101-6	B16	Q182-1/4	F4	R162	C11
C160	D11	J101-8	B16	Q182-2/4	I7	R163	C11
C161	C11	J103-1	A2	Q182-3/4	F10	R164	B11
C162	C11	J103-10	C2	Q182-4/4	H10	R165	B11
C163	B11	J103-12	C2	Q183-1/4	I19	R166	B11
C164	B11	J103-3	B2	Q183-2/4	G7	R167	D6
C165	G7	J103-4	B2	Q183-3/4	O6	R180	G14
C162	E5	J103-5	A2	Q184	I14	R181	G14
C183	G7	J103-8	B2	Q185-1/4	I12	R192	G14
C184	J3	J103-8	B2	Q185-2/4	H12	R193	I14
C185	H13	J151	C7	Q185-3/4	I13	R194	I14
J101-10	B16	J152	C6	Q185-4/4	G13	R185	D6
J101-12	B16	J161	D4	R161	D6	R166	D6
J101-14	B16	Q151	J7	R155	E6	R167	D4

PA03-1/2 AD/DA PCB
A/D CONVERTER CIRCUIT

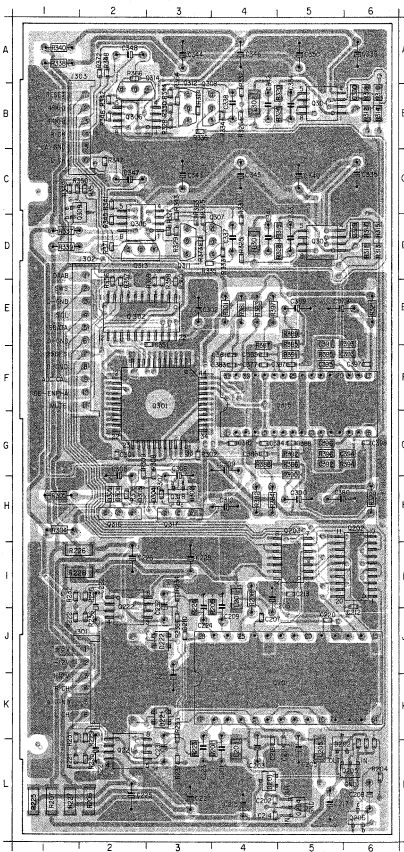




A
B
C
D
E
F
G
H
I
J

- C201 B6
- C202 G4
- C203 G5
- C204 H4
- C205 I5
- C206 A14
- C207 B15
- C208 F16
- C209 D8
- C210 E13
- C211 E13
- C212 H13
- C213 I8
- C214 G3
- C215 G3
- C216 I3
- C217 I3
- C218 A12
- C219 E12
- C220 A15
- C221 B2
- C222 D2
- C223 B9
- C224 D9
- C225 C8
- C226 E8
- C227 B5
- C228 D5
- C231 B6
- C232 D7
- C236 F15
- C241 E7
- C242 D7
- D221 B7
- D222 C7
- J301-1 C2
- J301-2 C2
- J301-3 D2
- J301-4 D2
- J301-5 B2
- J301-6 B2
- J302-5 D18
- J302-6 F2
- J302-9 F2
- L201 A14
- L203 G3
- L205 I5
- Q201 B11
- Q202-1/9 H13
- Q202-2/9 G12
- Q202-3/9 G10
- Q202-4/9 F9
- Q202-5/9 F7
- Q202-6/9 H13
- Q202-7/9 H10
- Q202-8/9 H9
- Q202-9/9 H7
- Q203-1/4 H11
- Q203-2/4 H13
- Q203-3/4 F6
- Q203-4/4 I8
- Q204 G4
- Q205 E15
- Q221-1/2 B5
- Q221-2/2 B8
- Q222-1/2 D5
- Q222-2/2 D8
- R201 F16
- R204 D10
- R205 G3
- R207 I5
- R208 A15
- R221 B4
- R222 D4
- R223 B9
- R224 D8
- R225 C8
- R226 E5
- R227 AB
- R228 C5
- R229 CC
- R231 C4
- R232 E4
- R233 B6
- R234 D6
- R235 B3
- R236 D3
- R237 D7
- R238 D7

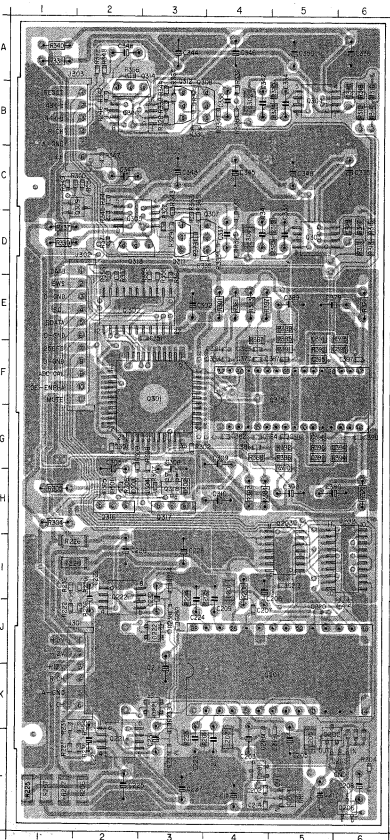
AD/DA PCB (PA03)



WD005D201-4

C201	L-4	Q201	K-5	R344	B-3
C202	L-4	Q202	B	R345	D-2
C203	L-4	Q203	I-5	R346	B-2
C205	L-5	Q204	L-5	R347	C-2
C206	I-4	Q205	L-6	R348	A-2
C207	J-4	Q206	L-6	R349	C-1
C208	L-6	Q207	L-2	R350	C-1
C209	I-4	Q222	I-2	R351	C-2
C210	J-3	Q301	F-3	R366	E-2
C211	K-3	Q302	E-2	R357	E-2
C212	L-6	Q303	D-5	R358	E-3
C213	L-5	Q304	B-5	R359	E-3
C214	L-4	Q305	D-2	R360	E-3
C215	L-4	Q306	B-2	R363	D-3
C217	L-5	Q307	D-3	R364	B-3
C218	L-4	Q308	B-3	R365	D-3
C219	L-5	Q309	C-2	R366	A-2
C220	J-5	Q311	D-3	R371	D-2
C221	L-2	Q312	B-3	R372	A-2
C222	I-2	Q313	D-2	R373	D-3
C223	L-3	Q314	B-2	R374	B-3
C224	I-3	Q315	F-5	R381	E-4
C225	L-2	Q316	H-2	R382	H-4
C226	I-2	Q317	H-3	R383	E-4
C227	L-3	Q318	I-3	R384	H-4
C228	I-3	R201	L-4	R385	E-5
C231	L-3	R204	L-6	R386	G-5
C232	I-3	R205	I-4	R387	F-4
C301	G-2	R206	L-2	R388	G-4
C302	E-3	R207	L-1	R389	E-5
C305	G-2	R208	L-4	R390	G-5
C306	G-3	R221	L-1	R391	F-5
C309	G-4	R222	J-1	R392	G-5
C310	H-4	R223	D-3	R393	E-6
C329	D-8	R224	I-3	R394	G-6
C330	B-6	R225	L-1	R395	F-5
C333	D-5	R226	L-1	R396	G-5
C334	B-5	R227	L-1	R397	E-4
C335	G-6	R228	G-6		
C336	A-6	R229	K-2		
C338	B-4	R230	I-2		
C341	D-4	R231	K-1		
C342	D-3	R232	E-4		
C343	C-3	R233	K-1		
C344	A-3	R234	I-3		
C345	C-4	R235	L-2		
C346	A-4	R236	I-2		
C347	C-2	R237	G-3		
C348	A-2	R238	J-3		
C349	C-5	R301	E-4		
C350	A-5	R302	G-3		
C351	E-3	R304	H-1		
C377	F-4	R305	H-1		
C379	E-5	R306	H-2		
C380	H-5	R307	H-3		
C381	F-4	R308	G-3		
C382	G-4	R309	G-2		
C383	F-4	R311	D-6		
C384	G-4	R312	B-6		
C385	F-4	R313	D-6		
C386	G-4	R314	B-6		
C387	F-5	R315	D-6		
C388	G-5	R316	B-6		
C389	E-5	R317	D-6		
C390	H-5	R318	B-6		
C391	E-5	R319	D-5		
C392	G-5	R320	B-5		
C393	F-6	R321	E-6		
C394	G-6	R322	H-6		
C395	F-5	R323	D-5		
C396	G-5	R324	B-5		
C397	F-6	R325	D-4		
C398	G-6	R326	B-4		
D201	L-4	R327	D-3		
D202	L-5	R328	B-3		
D221	K-3	R329	D-3		
D222	J-3	R330	B-3		
D301	H-2	R331	D-4		
D302	H-3	R332	B-4		
D303	H-2	R333	D-4		
D304	H-3	R334	B-4		
D305	H-2	R335	D-3		
J301	J-2	R336	B-3		
J302	D-2	R337	D-1		
J303	B-1	R338	A-1		
L201	H-4	R339	D-1		
L203	L-4	R340	A-1		
L205	L-5	R341	C-2		
L301	D-4	R342	B-2		
L302	B-4	R343	D-3		

AD/DA PCB (PA03)

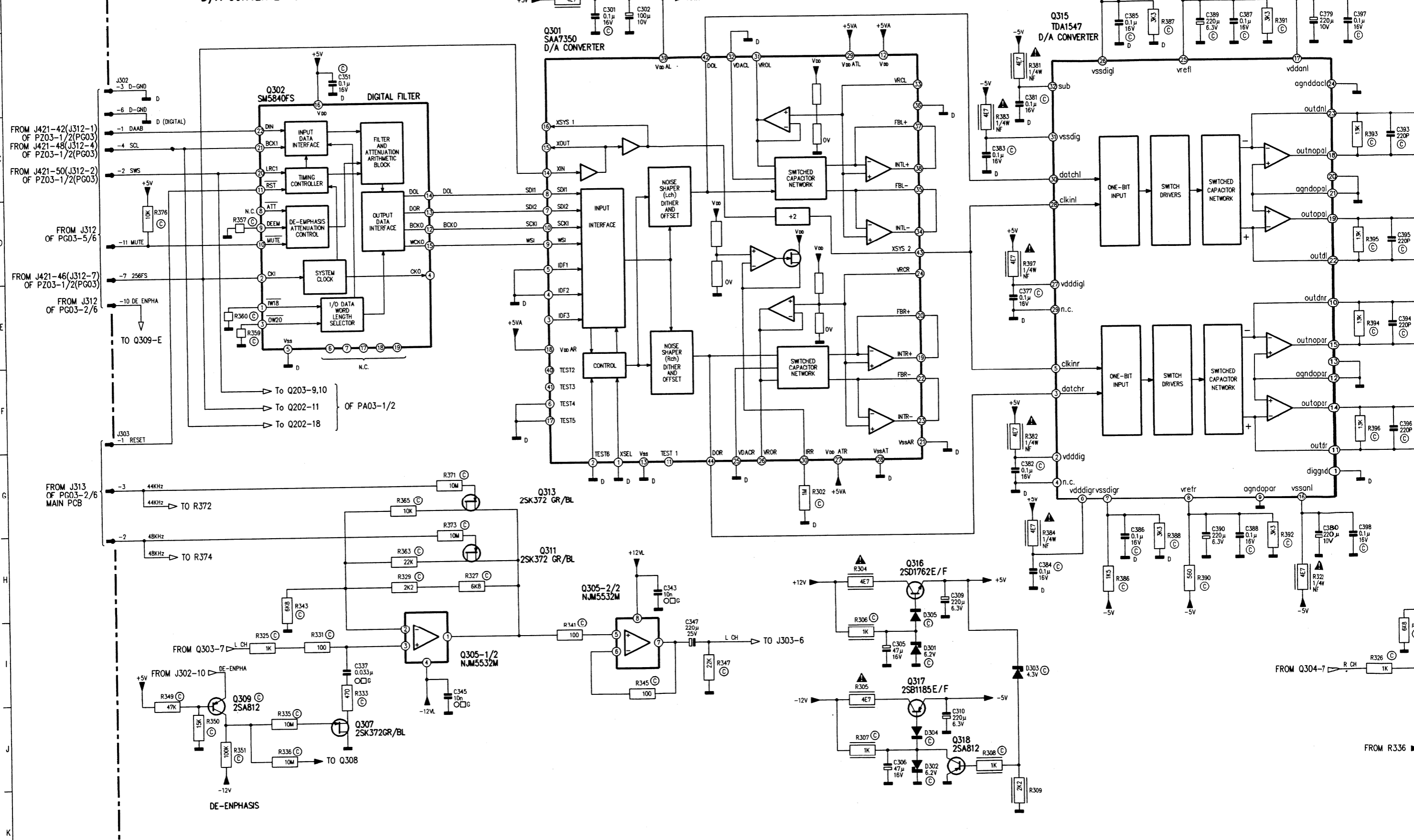


C201	L-4	Q201	K-5	C301	B-10	R321	A-16
C202	L-4	Q202	I-6	C302	B-10	R322	H-16
C203	L-4	Q203	I-5	C305	I-11	R323	D-20
C205	L-5	Q204	L-5	C306	J-11	R324	F-20
C206	I-4	Q205	E-6	C309	H-12	R325	I-4
C207	J-4	Q206	L-6	C310	J-12	R326	I-17
C208	L-6	Q221	L-2	C329	C-18	R327	H-6
C209	I-4	Q222	I-2	C330	E-19	R328	I-19
C210	L-5	Q311	F-3	C331	D-21	R329	H-5
C211	K-3	Q302	E-2	C334	F-21	R330	I-19
C212	H-8	Q303	D-5	C335	D-22	R331	I-4
C213	H-5	Q304	B-5	C336	G-22	R332	I-17
C214	L-4	Q305	D-2	C337	I-8	R333	I-5
C215	L-4	Q306	E-2	C344	J-18	R334	J-18
C217	L-5	Q307	D-3	C341	D-20	R335	J-4
C218	L-4	Q308	B-3	C342	F-20	R336	J-4
C219	L-5	Q309	C-2	C343	H-8	R337	C-22
C220	J-5	Q311	D-3	C344	J-18	R338	E-22
C221	L-2	Q312	D-3	C345	I-6	R339	D-22
C222	I-2	Q313	B-2	C346	J-19	R340	F-22
C223	L-3	Q314	B-2	C347	I-9	R341	I-7
C224	H-3	Q315	F-5	C348	I-22	R342	I-20
C225	I-2	Q316	H-2	C349	C-22	R343	H-4
C226	I-2	Q317	H-3	C350	E-22	R344	I-17
C227	L-3	Q318	H-3	C351	B-4	R345	I-8
C228	I-3	R201	L-4	C377	E-12	R346	J-21
C229	L-3	R204	L-6	C379	I-8	R347	I-8
C232	I-3	R205	I-4	C380	H-16	R348	J-22
C301	G-2	R206	L-2	C381	B-13	R349	J-2
C302	E-2	R207	L-1	C382	G-12	R350	J-3
C305	G-2	R208	I-4	C383	C-12	R351	J-3
C306	G-3	R221	L-1	C384	H-13	R357	D-3
C309	Q-4	R222	J-1	C385	B-14	R359	E-3
C310	H-4	R223	L-3	C386	H-14	R360	E-3
C309	D-6	R224	I-3	C387	B-15	R363	H-6
C330	B-6	R225	L-1	C388	H-15	R364	H-18
C333	D-5	R226	I-1	C389	B-15	R365	G-5
C334	B-5	R227	L-1	C390	H-15	R366	H-18
C335	C-6	R228	I-1	C391	D-17	R371	G-6
C336	A-6	R229	K-2	C392	E-17	R372	G-19
C338	B-4	R230	I-2	C393	C-17	R373	H-6
C341	D-4	R231	K-1	C394	E-17	R374	H-19
C342	B-4	R232	I-1	C395	D-17	R376	D-2
C343	C-3	R233	K-3	C396	F-17	R381	B-13
C344	A-3	R234	I-3	C397	B-16	R382	F-12
C345	C-4	R235	L-2	C398	H-16	R383	C-12
C346	A-4	R236	I-2	D301	I-11	R384	H-13
C347	C-2	R237	L-3	D302	J-11	R385	A-14
C348	A-2	R238	J-2	D303	J-12	R386	H-14
C349	C-5	R301	E-4	D304	J-11	R387	B-14
C350	A-5	R302	G-3	D305	I-11	R388	H-14
C351	E-3	R304	H-1	J302	B-2	R389	A-15
C377	F-4	R305	H-1	J303	F-2	R390	H-15
C378	E-5	R308	H-2	J303	H-23	R391	B-16
C380	H-5	R307	H-3	L301	D-21	R362	H-16
C381	F-4	R308	G-3	L302	F-21	R363	C-17
C382	G-4	R309	G-2	Q301	B-7	R364	E-17
C383	F-4	R311	D-6	Q302	B-4	R365	D-17
C384	G-4	R312	B-6	Q303-1/2	D-19	R366	F-17
C385	F-4	R313	D-6	Q303-1/2	F-19	R367	D-12
C386	G-4	R314	B-6	Q303-2/2	C-21		
C387	F-5	R315	D-6	Q304-2/2	F-21		
C389	G-5	R316	B-6	Q305-1/2	B-6		
C390	H-5	R318	B-6	Q306	I-21		
C391	E-6	R319	D-5	Q306-1/2	I-19		
C392	G-5	R320	G-5	Q307	J-4		
C393	F-6	R321	E-6	Q308	J-18		
C394	G-6	R322	H-6	Q309	J-3		
C395	F-5	R323	D-5	Q311	H-6		
C396	G-5	R324	B-5	Q312	H-19		
C397	F-6	R325	D-4	Q313	G-6		
C398	G-6	R326	B-4	Q315	B-13		
D201	L-4	R327	D-3	Q316	H-11		
D202	L-5	R328	B-3	Q317	J-11		
D221	H-3	R329	D-3	Q318	D-12		
D222	J-3	R330	B-3	F301	A-11		
D301	H-2	R331	D-4	R302	G-10		
D302	H-3	R332	B-4	R304	H-11		
D303	H-2	R333	D-4	R306	J-11		
D304	H-3	R334	B-4	R307	B-11		
D305	H-2	R335	D-3	R307	J-11		
J301	J-2	R336	B-3	R308	J-12		
J302	D-2	R337	D-1	R309	I-13		
J303	B-1	R338	A-1	R310	C-18		
L201	H-4	R339	D-1	R312	E-18		
L203	L-4	R340	A-1	R313	D-18		
L205	L-5	R341	C-2	R314	F-18		
L301	D-4	R342	B-2	R315	D-16		
L302	B-4	R343	D-3	R316	F-18		
				R317	C-19		
				R318	E-19		
				R319	D-20		
				R320	F-20		

WD005D201-4

R344	B-3	R356	E-2	R366	A-2	R384	H-4	R392	G-5
R345	D-2	R357	E-2	R371	D-2	R385	E-5	R393	G-6
R346	B-2	R358	E-3	R372	A-2	R386	G-5	R394	E-6
R347	C-2	R359	E-3	R373	D-3	R387	F-4	R395	F-5
R348	A-2	R360	E-3	R374	B-3	R388	G-4	R396	G-5
R349	C-1	R363	D-3	R381	E-4	R389	E-5	R397	E-4
R350	C-1	R364	B-3	R382	H-4	R390	G-5		
R351	C-2	R365	D-3	R383	E-4	R391	F-5		

PA03-2/2 AD/DA PCB D/A CONVERTER CIRCUIT



FROM J421-42(J312-1) OF PZ03-1/2(PG03)
FROM J421-48(J312-4) OF PZ03-1/2(PG03)
FROM J421-50(J312-2) OF PZ03-1/2(PG03)

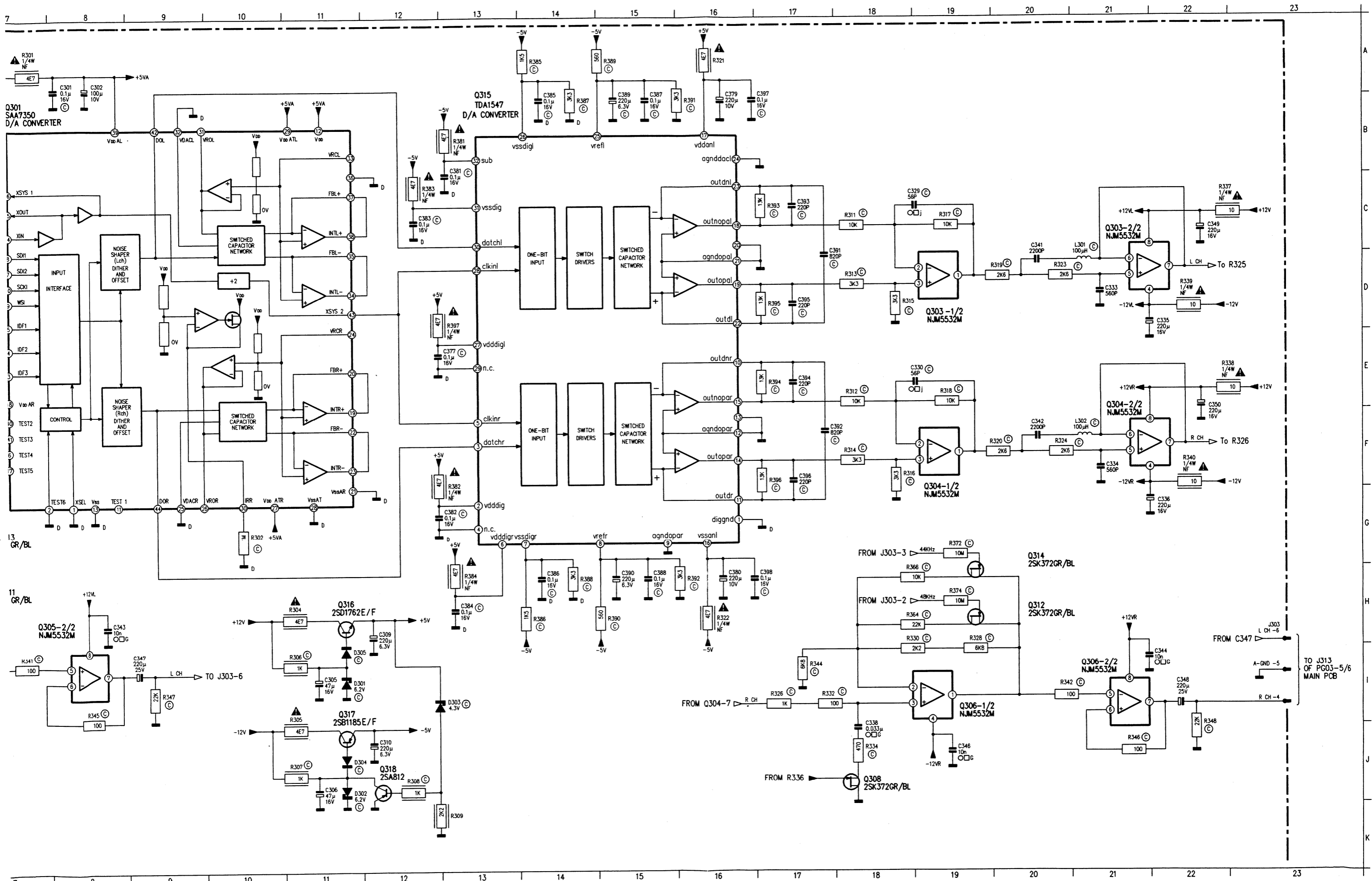
FROM J312 OF PG03-5/6

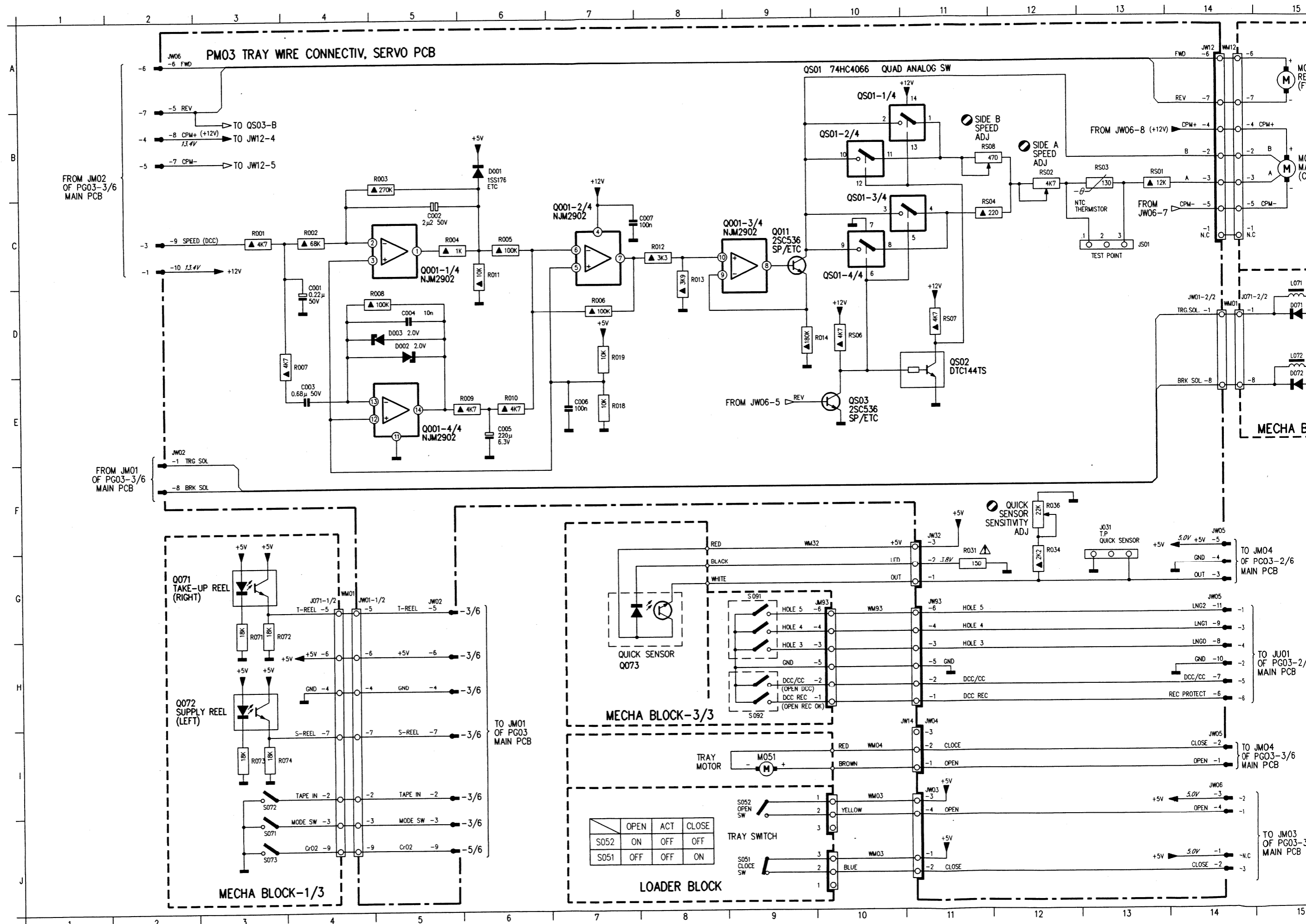
FROM J421-46(J312-7) OF PZ03-1/2(PG03)

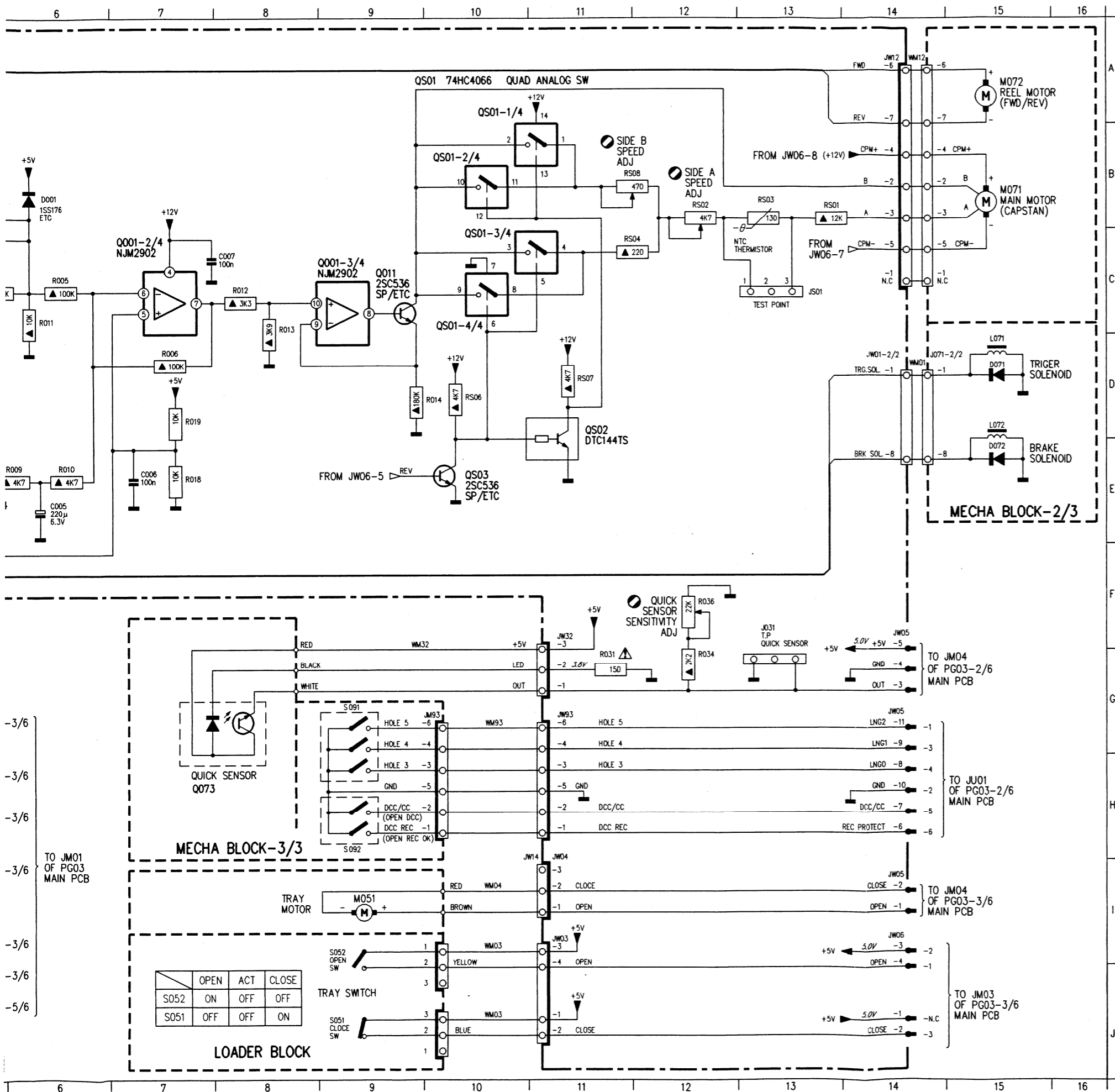
FROM J312 OF PG03-2/6

FROM J313 OF PG03-2/6 MAIN PCB

FROM R336

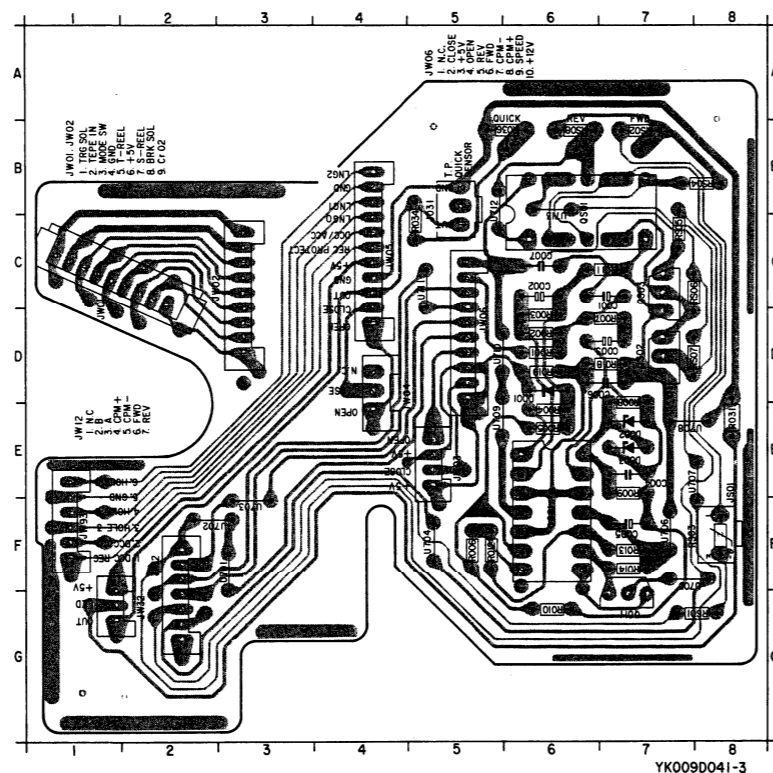






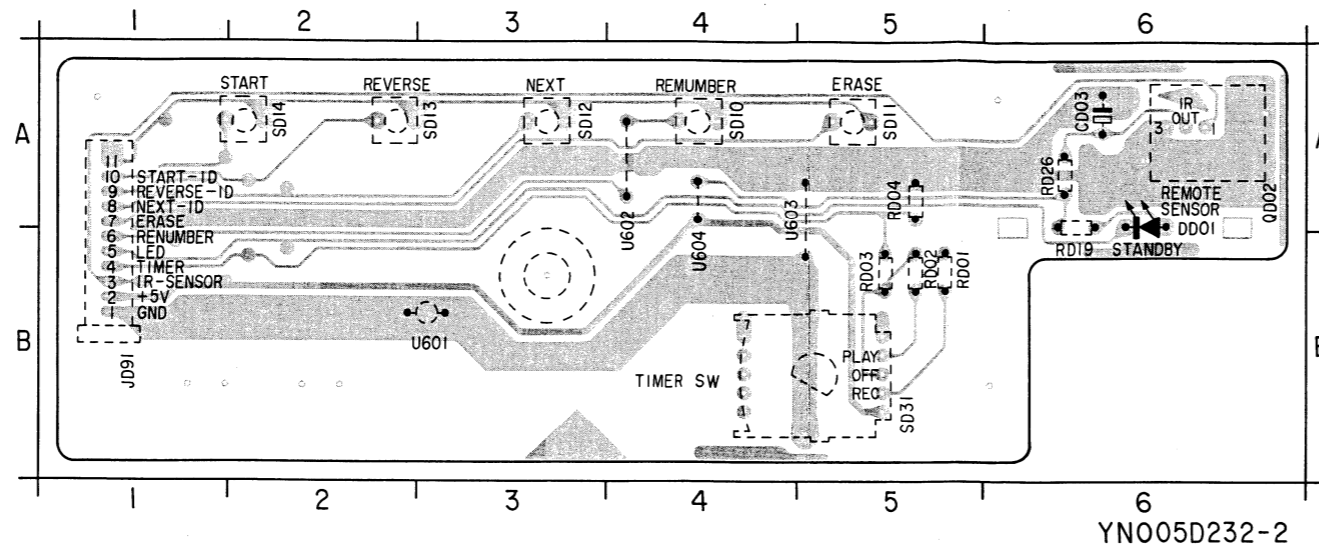
C001	D4	L071	D15
C002	C5	L072	E15
C003	E4	M051	I9
C004	D5	M071	B15
C005	E6	M072	A15
C006	E7	Q001-1/4	C5
C007	C7	Q001-2/4	C7
D001	B6	Q001-3/4	C9
D002	D5	Q001-4/4	E5
D003	D5	Q011	C9
D071	D15	Q071	G3
DO72	E15	Q072	H3
J031	G13	Q073	G8
J071-1/2	G4	QS03	E10
J071-1/2-2/4		QS01-1/4	B11
J071-1/2-3/4		QS01-2/4	B10
J071-1/2-7/4		QS01-3/4	C11
J071-1/2-8/4		QS01-4/4	C10
J071-2/2	D14	QS02	D11
JM93	G10	RO01	C3
JS01	C13	RO02	C4
JW01-1/2	G4	RO03	B5
JW01-1/2-2/4		RO04	C5
JW01-1/2-3/4		RO05	C6
JW01-1/2-7/4		RO06	D7
JW01-1/2-8/4		RO07	D4
JW01-2/2	D14	RO08	D5
JW02-1	F2	RO09	E6
JW02-2	I5	RO10	E6
JW02-3	J5	RO11	C6
JW02-4	H4	RO12	C8
JW02-5	G5	RO13	C8
JW02-6	H4	RO14	D9
JW02-7	I5	RO18	E7
JW02-8	F2	RO19	D7
JW02-9	J5	RO31	G11
JW03	I11	RO34	G12
JW03-1	J11	RO36	F12
JW03-2	J11	RO71	G3
JW03-4	J11	RO72	G3
JW04	I11	RO73	I3
JW05-1	I14	RO74	I3
JW05-10	H14	RS01	B13
JW05-11	G14	RS02	B12
JW05-2	I14	RS03	B13
JW05-3	G14	RS04	C11
JW05-4	G14	RS06	D10
JW05-5	G14	RS07	D11
JW05-6	H14	RS08	B11
JW05-7	H14	S052	I9
JW05-8	H14	S071	J3
JW05-9	G14	S072	I3
JW06-1	J14	S073	J3
JW06-10	C2	S091	G9
JW06-2	J14	S092	H9
JW06-3	I14	SD51	J9
JW06-4	J14	WM01	D14
JW06-5	A2	WM01	G4
JW06-6	A2	WM03	I10
JW06-7	B2	WM03	J10
JW06-8	B2	WM04	I10
JW06-9	C2	WM12-1	C14
JW12-1	C14	WM12-2	B14
JW12-2	B14	WM12-3	B14
JW12-3	B14	WM12-4	B14
JW12-4	B14	WM12-5	C14
JW12-5	C14	WM12-6	A14
JW12-6	A14	WM12-7	A14
JW12-7	A14	WM32	G9
JW32	G11	WM93	G10
JW93	G11		

TRAY WIRE CONNECTION, SERVO PCB (PM03)



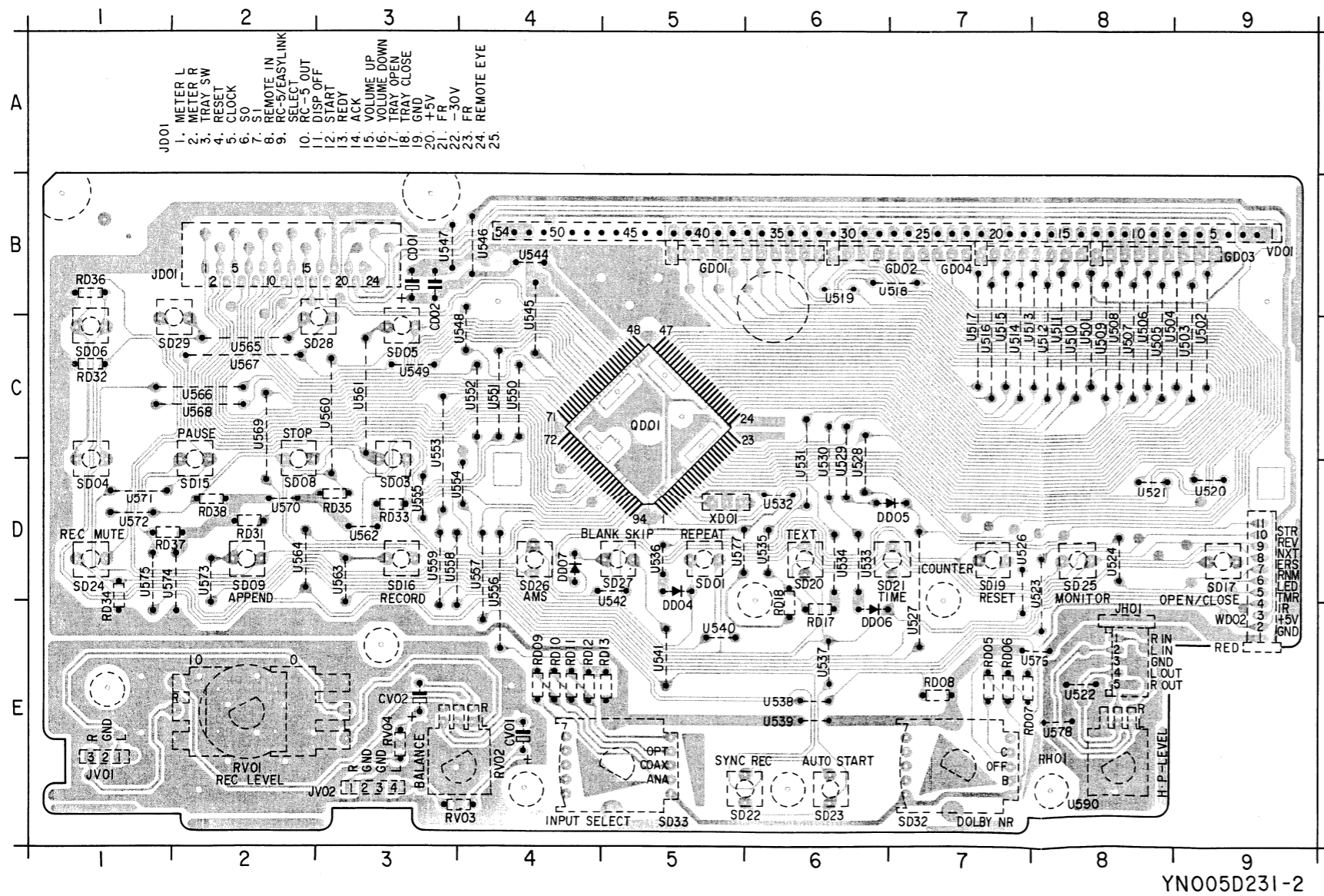
C001	C7	R008	E7
C002	C6	R009	E7
C003	D7	R010	G6
C004	E7	R011	C7
C005	F7	R012	F5
C006	D7	R013	F7
C007	C6	R014	F7
D001	D6	R018	D7
D002	E7	R019	D6
D003	E7	R031	E8
J031	B5	R034	C5
JS01	F8	R036	B6
JW01	C1	RS01	G8
JW02	C3	RS02	B7
JW03	E5	RS03	F8
JW04	D4	RS04	B8
JW05	C4	RS05	C7
JW06	D5	RS06	C7
JW12	F2	RS07	D7
JW32	G1	RS08	B6
JW93	F1	U701	F3
Q001	F6	U702	F2
Q011	G7	U703	F3
QS01	B6	U704	F5
QS02	D7	U705	F7
QS03	C7	U706	F7
R001	D6	U707	E8
R002	D6	U708	E7
R003	D6	U709	E5
R004	E6	U710	D5
R005	E6	U711	C5
R006	F5	U712	B5
R007	D7	U713	B6

IR SENSOR PCB (PD04)

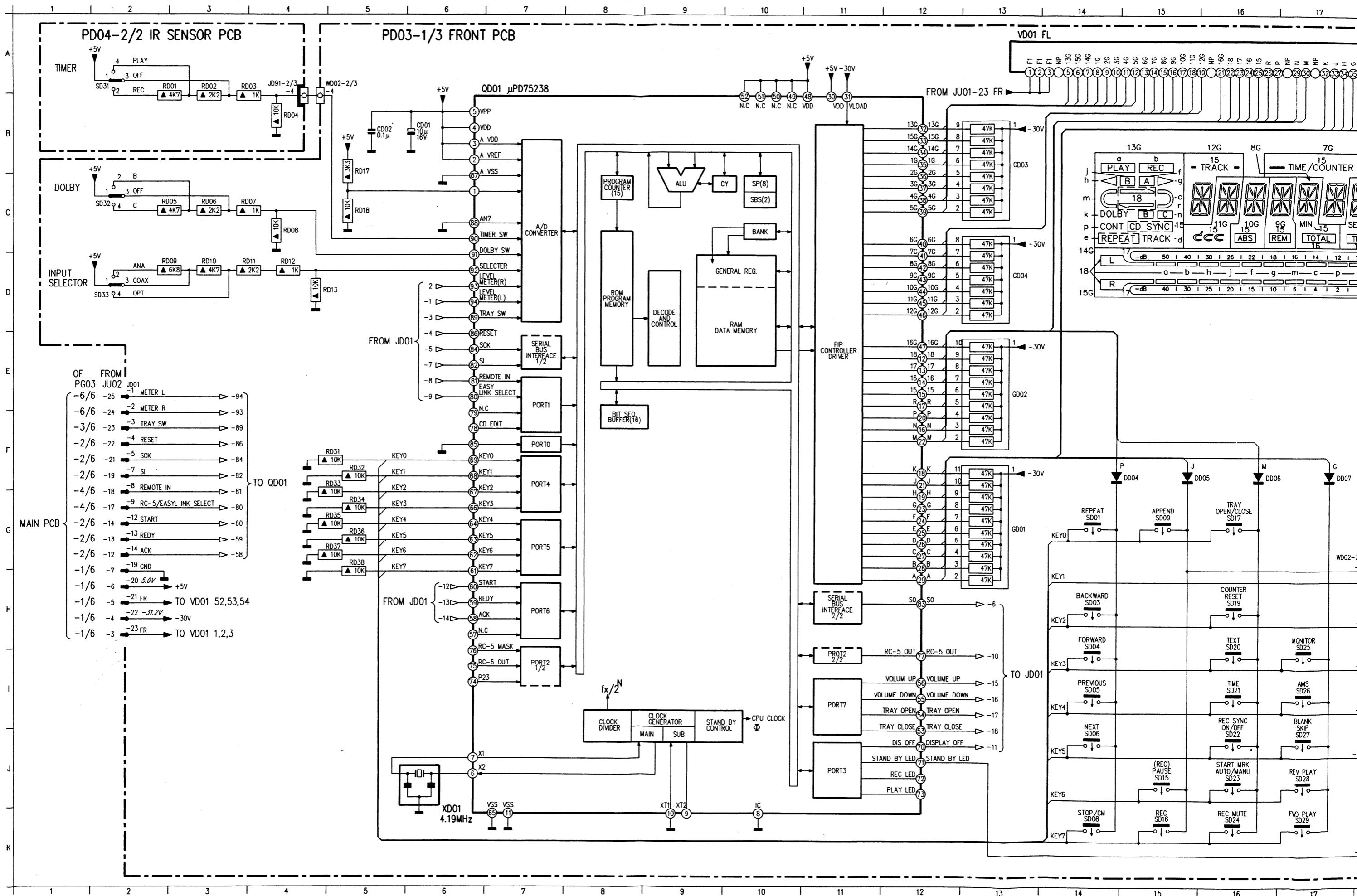


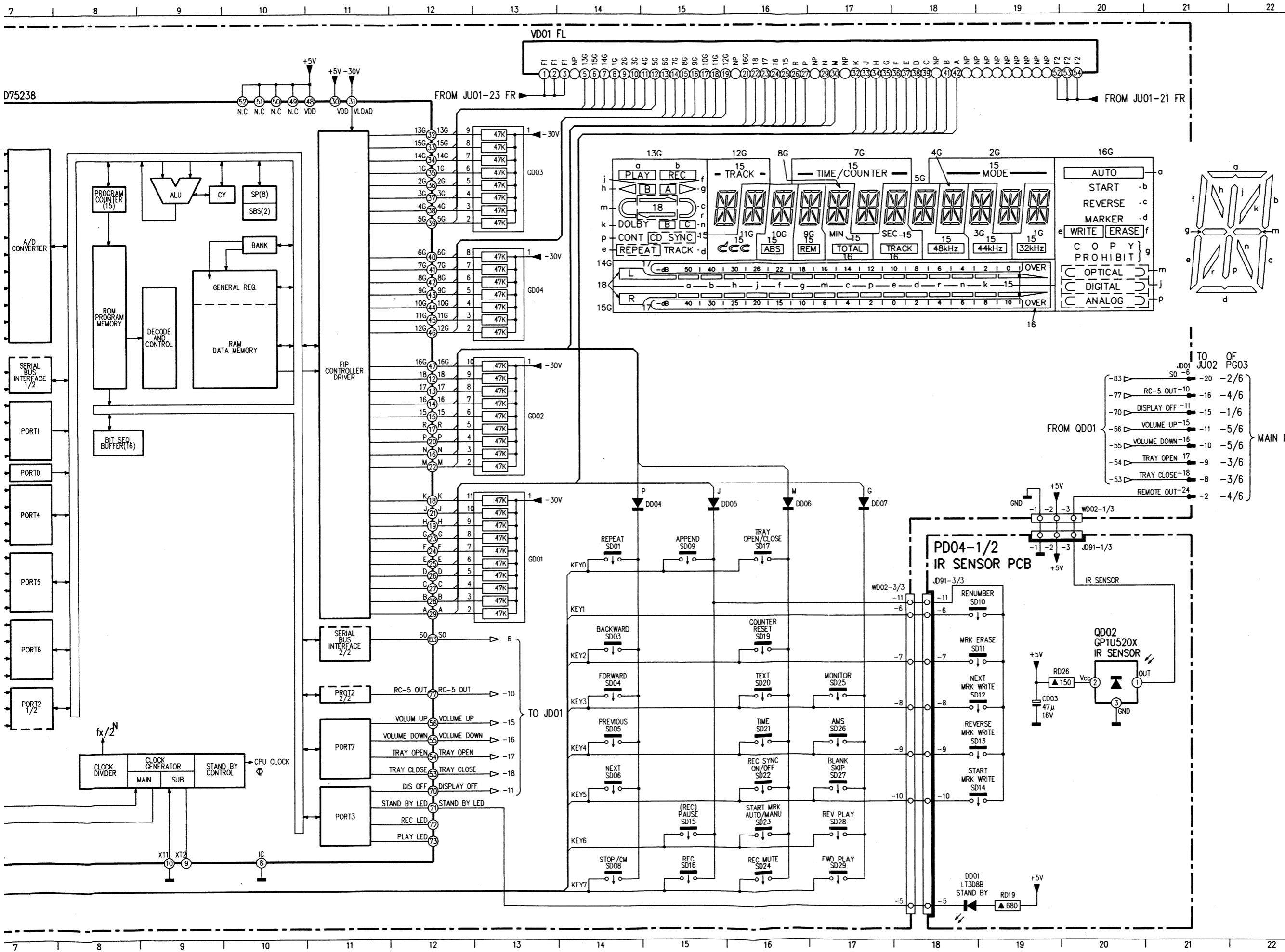
CD03	A-6
DD01	A-6
JD91	B-1
QD02	A-6
RD01	B-5
RD02	B-5
RD03	B-5
RD04	A-5
RD19	A-6
RD26	A-6
SD10	A-4
SD11	A-5
SD12	A-3
SD13	A-2
SD14	A-2
SD31	B-5
U601	B-3
U602	A-4
U603	A-5
U604	A-4

FRONT PCB (PD03)



CD01	B-3	SD17	D-9	U536	D-5
CD02	B-3	SD19	D-7	U537	E-6
CV01	E-4	SD20	D-6	U538	E-6
CV02	E-3	SD21	D-7	U539	E-6
DD05	D-7	SD22	E-6	U540	E-5
DD06	E-6	SD23	E-6	U541	E-5
DD07	D-4	SD24	D-1	U542	D-5
GD01	B-5	SD25	D-8	U544	B-4
GD02	B-7	SD26	D-4	U545	B-4
GD03	B-8	SD27	D-5	U545	C-4
GD04	B-7	SD28	C-3	U546	B-4
JD01	B-2	SD29	C-2	U547	B-3
JH01	E-8	SD32	E-7	U548	C-4
JV01	E-1	SD33	E-5	U549	C-3
JV02	E-3	U501	C-8	U550	C-4
QD01	C-5	U502	C-9	U551	C-4
RD05	E-7	U503	C-9	U552	C-4
RD06	E-7	U504	C-8	U553	C-3
RD07	E-7	U505	C-8	U554	D-4
RD08	E-7	U506	C-8	U555	D-3
RD09	E-4	U507	C-8	U556	D-4
RD10	E-4	U508	C-8	U557	D-4
RD11	E-4	U509	C-8	U557	D-6
RD12	E-4	U510	C-8	U558	D-3
RD13	E-5	U511	C-8	U559	D-3
RD17	E-6	U512	C-8	U560	C-3
RD18	E-6	U513	C-8	U561	C-3
RD31	D-2	U514	C-7	U562	D-3
RD32	C-1	U515	C-7	U563	D-3
RD33	D-3	U516	C-7	U564	D-2
RD34	D-1	U517	C-7	U565	C-2
RD35	D-3	U518	B-7	U566	C-2
RD36	B-1	U519	B-6	U567	C-2
RD37	D-1	U520	D-9	U568	C-2
RD38	D-2	U521	D-8	U569	C-2
RH01	E-8	U522	E-8	U570	D-2
RV01	E-2	U523	D-8	U571	D-1
RV02	E-4	U524	D-8	U572	D-1
RV03	E-4	U526	D-7	U573	D-2
SD01	D-5	U527	D-7	U574	D-1
SD03	D-3	U528	D-6	U574	D-2
SD04	D-1	U529	D-6	U575	D-1
SD05	C-3	U530	D-6	U576	E-8
SD06	C-1	U531	D-6	U578	E-8
SD08	D-2	U532	D-6	U590	E-8
SD09	D-2	U533	D-6	VD01	B-9
SD15	D-2	U534	D-6	WD02	D-9
SD16	D-3	U535	D-6	XD01	D-5





CD01	B-6	SD06	J-14
CD02	B-5	SD08	K-14
CD03	I-19	SD09	G-15
CV01	E-4	SD10	H-18
CV02	E-3	SD11	H-18
DD01	K-18	SD12	I-18
DD04	F-14	SD13	I-18
DD05	D-7	SD14	J-18
DD05	F-15	SD15	J-15
DD06	E-6	SD16	K-15
DD06	F-16	SD17	D-9
DD07	D-4	SD17	G-16
DD07	F-17	SD19	D-7
GD01	G-13	SD19	H-16
GD02	E-13	SD20	D-6
GD03	B-13	SD20	I-16
GD04	D-13	SD21	D-7
JD01	E-2	SD21	I-16
JD01	E-21	SD22	E-8
JD91-2/3	A-4	SD22	J-16
JD91-1/3	G-19	SD23	E-6
JD91-3/3	G-18	SD23	J-16
JH01	E-8	SD24	K-16
JV01	E-1	SD25	D-8
JV02	E-3	SD25	I-17
QD01	A-7	SD26	D-4
QD02	H-20	SD26	I-17
RD01	A-2	SD27	D-5
RD02	A-3	SD27	J-17
RD03	A-4	SD28	J-17
RD04	B-4	SD29	K-17
RD05	C-2	SD31	A-2
RD05	E-7	SD32	C-2
RD06	C-3	SD32	E-7
RD06	E-7	SD33	D-2
RD07	C-4	SD33	E-5
RD07	E-7	U520	D-9
RD08	C-4	U521	D-8
RD08	E-7	U522	E-8
RD09	E-4	U523	D-8
RD10	D-3	U524	D-8
RD10	E-4	U526	D-7
RD11	D-4	U527	D-7
RD11	E-4	U528	D-6
RD12	D-4	U529	D-6
RD12	E-4	U530	D-6
RD13	D-4	U531	D-6
RD13	E-5	U532	D-6
RD17	B-5	U533	D-6
RD17	E-6	U534	D-6
RD18	C-5	U535	D-6
RD18	E-6	U536	D-5
RD19	K-19	U537	E-6
RD26	H-20	U538	E-6
RD31	F-5	U539	E-6
RD32	F-5	U540	E-5
RD33	G-5	U541	E-5
RD34	G-5	U542	D-5
RD35	G-5	U554	D-4
RD36	G-5	U556	D-4
RD37	G-5	U557	D-4
RD38	H-5	U557	D-6
RD90	S-2	U576	E-8
RH01	E-8	U578	E-8
RV01	E-2	U590	E-8
RV02	E-4	VD01	A-13
RV03	E-4	WD02	D-9
SD01	D-5	WD02-2/3	A-4
SD01	G-14	WD02-1/3	F-20
SD03	H-14	WD02-3/3	G-18
SD04	I-14	XD01	D-5
SD05	I-14	XD01	J-6